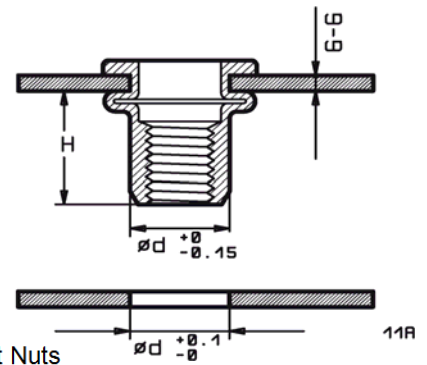
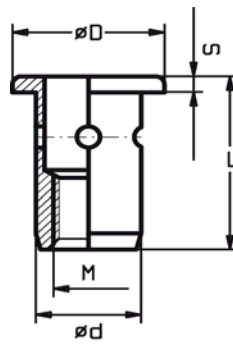


DATA SHEET D 101

LARGE FLANGE HEAD
Type: **LF-BCT**



BCT- MULTIGRIP

G-G

other grip ranges can be manufactured on request

Tappex MultiRiv Rivet Nuts
Part Number 025/.....

All dimensions in metric

Dimensions with **part number** in bold are stock items

| M Thread | G-G Grip range | ød | L | øD | S | H Ca. | Steel Part no. | Aluminium Part no. | Brass Part no. | Stainless Part no. |
|-------------|-------------------|------|------|------|------|----------|-----------------------|-----------------------|-----------------------|-----------------------|
| M3 | | | | | | | | | | |
| M4 | 0.5-4.0 | 7.0 | 14.0 | 10.0 | 0.80 | 8.0 | T4M-040.25LF | A4M-040.25LF | B4M-040.25LF | E4M-040.25LF |
| | 2.5-5.5 | 7.0 | 15.5 | 10.0 | 0.80 | 8.0 | T4M-055.37LF | A4M-055.37LF | B4M-055.37LF | E4M-055.37LF |
| | 4.0-7.0 | 7.0 | 17.0 | 10.0 | 0.80 | 8.0 | T4M-070.49LF | A4M-070.49LF | B4M-070.49LF | E4M-070.49LF |
| M5 | 0.5-5.0 | 8.0 | 17.0 | 11.0 | 1.00 | 9.5 | T5M-050.29LF | A5M-050.29LF | B5M-050.29LF | E5M-050.29LF |
| | 3.0-7.0 | 8.0 | 19.0 | 11.0 | 1.00 | 9.5 | T5M-070.43LF | A5M-070.43LF | B5M-070.43LF | E5M-070.43LF |
| M6 | 0.5-4.5 | 9.0 | 17.5 | 13.0 | 1.50 | 10.5 | T6M-045.33LF | A6M-045.33LF | B6M-045.33LF | E6M-045.33LF |
| | 0.5-6.0 | 9.0 | 19.0 | 13.0 | 1.50 | 10.5 | T6M-060.33LF | A6M-060.33LF | B6M-060.33LF | E6M-060.33LF |
| | 4.0-9.0 | 9.0 | 22.5 | 13.0 | 1.50 | 10.5 | T6M-090.61LF | A6M-090.61LF | B6M-090.61LF | E6M-090.61LF |
| M8 | 0.5-6.0 | 11.0 | 20.5 | 16.0 | 1.50 | 12.0 | T8M-060.43LF | A8M-060.43LF | B8M-060.43LF | E8M-060.43LF |
| | 0.5-8.0 | 11.0 | 23.0 | 16.0 | 1.50 | 12.0 | T8M-080.47LF | A8M-080.47LF | B8M-080.47LF | E8M-080.47LF |
| | 4.5-11.0 | 11.0 | 26.0 | 16.0 | 1.50 | 12.0 | T8M-110.77LF | A8M-110.77LF | B8M-110.77LF | E8M-110.77LF |
| | 6.5-13.0 | 11.0 | 28.0 | 16.0 | 1.50 | 12.0 | T8M-130.97LF | A8M-130.97LF | B8M-130.97LF | E8M-130.97LF |
| M10 | 0.8-7.0 | 13.0 | 26.0 | 19.0 | 2.00 | 16.0 | T10M-070.50LF | A10M-070.50LF | B10M-070.50LF | E10M-070.50LF |
| | 1.5-10.0 | 13.0 | 30.0 | 19.0 | 2.00 | 16.0 | T10M-100.60LF | A10M-100.60LF | B10M-100.60LF | E10M-100.60LF |
| | 5.5-14.0 | 13.0 | 34.0 | 19.0 | 2.00 | 16.0 | T10M-140.101LF | A10M-140.101LF | B10M-140.101LF | E10M-140.101LF |

STEEL zinc - trivalente

11.04.2010

Page D 101



TAPPEX THREAD INSERTS LTD
Masons Road, Stratford-upon-Avon
CV37 9NT

Tel. (01789) 206600 Fax. (01789) 414194
e-mail: sales@tappex.co.uk
web: www.tappex.co.uk

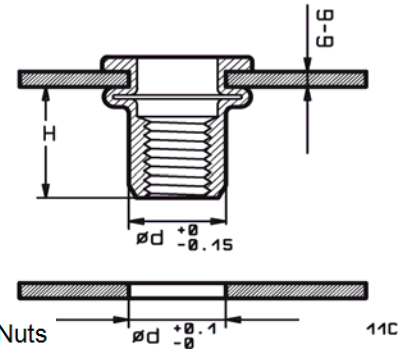
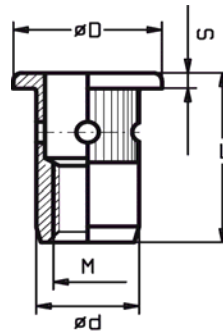
DATA SHEET D 103

LARGE FLANGE HEAD
Type: **LF/KN-BCT**

BCT- MULTIGRIP

G-G

other grip ranges can be manufactured on request



Tappex MultiRiv Rivet Nuts
Part Number 025/.....

All dimensions in metric

Dimensions with part number in bold are stock items

| M Thread | G-G Grip range | ød | L | øD | S | H Ca. | Steel Part no. | Aluminium Part no. | Brass Part no. | Stainless Part no. |
|-------------|-------------------|------|------|------|------|----------|--------------------------|--------------------------|--------------------------|--------------------------|
| M3 | | | | | | | | | | |
| M4 | 0.5-4.0 | 7.0 | 14.0 | 10.0 | 0.80 | 8.0 | T4M-040.25LF/KN | A4M-040.25LF/KN | B4M-040.25LF/KN | E4M-040.25LF/KN |
| | 2.5-5.5 | 7.0 | 15.5 | 10.0 | 0.80 | 8.0 | T4M-055.37LF/KN | A4M-055.37LF/KN | B4M-055.37LF/KN | E4M-055.37LF/KN |
| | 4.0-7.0 | 7.0 | 17.0 | 10.0 | 0.80 | 8.0 | T4M-070.49LF/KN | A4M-070.49LF/KN | B4M-070.49LF/KN | E4M-070.49LF/KN |
| M5 | 0.5-5.0 | 8.0 | 17.0 | 11.0 | 1.00 | 9.5 | T5M-050.29LF/KN | A5M-050.29LF/KN | B5M-050.29LF/KN | E5M-050.29LF/KN |
| | 3.0-7.0 | 8.0 | 19.0 | 11.0 | 1.00 | 9.5 | T5M-070.43LF/KN | A5M-070.43LF/KN | B5M-070.43LF/KN | E5M-070.43LF/KN |
| M6 | 0.5-4.5 | 9.0 | 17.5 | 13.0 | 1.50 | 10.5 | T6M-045.33LF/KN | A6M-045.33LF/KN | B6M-045.33LF/KN | E6M-045.33LF/KN |
| | 0.5-6.0 | 9.0 | 19.0 | 13.0 | 1.50 | 10.5 | T6M-060.33LF/KN | A6M-060.33LF/KN | B6M-060.33LF/KN | E6M-060.33LF/KN |
| | 4.0-9.0 | 9.0 | 22.5 | 13.0 | 1.50 | 10.5 | T6M-090.61LF/KN | A6M-090.61LF/KN | B6M-090.61LF/KN | E6M-090.61LF/KN |
| M8 | 0.5-6.0 | 11.0 | 20.0 | 16.0 | 1.50 | 12.0 | T8M-060.43LF/KN | A8M-060.43LF/KN | B8M-060.43LF/KN | E8M-060.43LF/KN |
| | 0.5-8.0 | 11.0 | 23.0 | 16.0 | 1.50 | 12.0 | T8M-080.47LF/KN | A8M-080.47LF/KN | B8M-080.47LF/KN | E8M-080.47LF/KN |
| | 4.5-11.0 | 11.0 | 26.0 | 16.0 | 1.50 | 12.0 | T8M-110.77LF/KN | A8M-110.77LF/KN | B8M-110.77LF/KN | E8M-110.77LF/KN |
| | 6.5-13.0 | 11.0 | 28.0 | 16.0 | 1.50 | 12.0 | T8M-130.97LF/KN | A8M-130.97LF/KN | B8M-130.97LF/KN | E8M-130.97LF/KN |
| M10 | 0.8-7.0 | 13.0 | 26.0 | 19.0 | 2.00 | 16.0 | T10M-070.50LF/KN | A10M-070.50LF/KN | B10M-070.50LF/KN | E10M-070.50LF/KN |
| | 1.5-10.0 | 13.0 | 30.0 | 19.0 | 2.00 | 16.0 | T10M-100.60LF/KN | A10M-100.60LF/KN | B10M-100.60LF/KN | E10M-100.60LF/KN |
| | 5.5-14.0 | 13.0 | 34.0 | 19.0 | 2.00 | 16.0 | T10M-140.101LF/KN | A10M-140.101LF/KN | B10M-140.101LF/KN | E10M-140.101LF/KN |

STEEL zinc - trivalente

11.04.2010

11C

Page D 103



TAPPEX THREAD INSERTS LTD
Masons Road, Stratford-upon-Avon
CV37 9NT

Tel. (01789) 206600 Fax. (01789) 414194
e-mail: sales@tappex.co.uk
web: www.tappex.co.uk

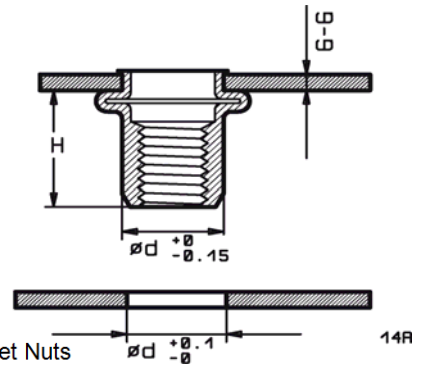
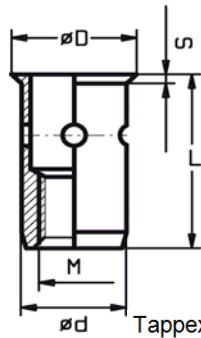
DATA SHEET D 113

SMALL COUNTERSUNK HEAD
Type: **TS-BCT**

BCT- MULTIGRIP

G-G

other grip ranges can be manufactured on request



Tappex MultiRiv Rivet Nuts
Part Number 025/.....

All dimensions in metric

Dimensions with **part number** in bold are stock items

| M Thread | G-G Grip range | ød | L | øD | S | H Ca. | Steel Part no. | Aluminium Part no. | Brass Part no. | Stainless Part no. |
|-------------|-------------------|------|------|------|------|----------|----------------------|-----------------------|----------------------|-----------------------|
| M3 | | | | | | | | | | |
| M4 | 0.5-4.0 | 7.0 | 13.5 | 8.0 | 0.50 | 8.0 | T4M-040.25TS | A4M-040.25TS | B4M-040.25TS | E4M-040.25TS |
| | 2.5-5.5 | 7.0 | 15.0 | 8.0 | 0.50 | 8.0 | T4M-055.37TS | A4M-055.37TS | B4M-055.37TS | E4M-055.37TS |
| | 4.0-7.0 | 7.0 | 16.5 | 8.0 | 0.50 | 8.0 | T4M-070.49TS | A4M-070.49TS | B4M-070.49TS | E4M-070.49TS |
| M5 | 0.5-5.0 | 8.0 | 16.0 | 9.0 | 0.50 | 9.0 | T5M-050.29TS | A5M-050.29TS | B5M-050.29TS | E5M-050.29TS |
| | 3.0-7.0 | 8.0 | 18.0 | 9.0 | 0.50 | 9.0 | T5M-070.43TS | A5M-070.43TS | B5M-070.43TS | E5M-070.43TS |
| M6 | 0.5-4.5 | 9.0 | 16.0 | 10.0 | 0.50 | 10.0 | T6M-045.33TS | A6M-045.33TS | B6M-045.33TS | E6M-045.33TS |
| | 0.5-6.0 | 9.0 | 17.5 | 10.0 | 0.50 | 10.0 | T6M-060.33TS | A6M-060.33TS | B6M-060.33TS | E6M-060.33TS |
| | 4.0-9.0 | 9.0 | 21.0 | 10.0 | 0.50 | 10.0 | T6M-090.61TS | A6M-090.61TS | B6M-090.61TS | E6M-090.61TS |
| M8 | 0.5-6.0 | 11.0 | 19.5 | 12.0 | 0.60 | 12.0 | T8M-060.41TS | A8M-060.41TS | B8M-060.41TS | E8M-060.41TS |
| | 0.5-8.0 | 11.0 | 21.5 | 12.0 | 0.60 | 12.0 | T8M-080.45TS | A8M-080.45TS | B8M-080.45TS | E8M-080.45TS |
| | 4.0-11.0 | 11.0 | 25.0 | 12.0 | 0.60 | 12.0 | T8M-110.70TS | A8M-110.70TS | B8M-110.70TS | E8M-110.70TS |
| | 6.5-13.0 | 11.0 | 27.0 | 12.0 | 0.60 | 12.0 | T8M-130.88TS | A8M-130.88TS | B8M-130.88TS | E8M-130.88TS |
| M10 | 0.8-7.0 | 13.0 | 25.0 | 14.0 | 0.60 | 16.0 | T10M-070.48TS | A10M-070.48TS | B10M-070.48TS | E10M-070.48TS |
| | 1.5-10.0 | 13.0 | 28.0 | 14.0 | 0.60 | 16.0 | T10M-100.58TS | A10M-100.58TS | B10M-100.58TS | E10M-100.58TS |
| | 5.5-14.0 | 13.0 | 32.0 | 14.0 | 0.60 | 16.0 | T10M-140.98TS | A10M-140.98TS | B10M-140.98TS | E10M-140.98TS |

STEEL zinc - trivalente

11.04.2010

Page D 113

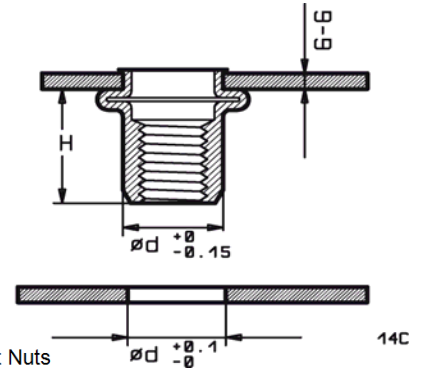
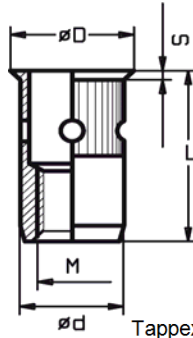
DATA SHEET D 115

SMALL COUNTERSUNK HEAD
Type: **TS/KN-BCT**

BCT- MULTIGRIP

G-G

other grip ranges can be manufactured on request



Tappex MultiRiv Rivet Nuts
Part Number 025/.....

All dimensions in metric

Dimensions with **part number** in bold are stock items

| M Thread | G-G Grip range | ød | L | øD | S | H Ca. | Steel Part no. | Aluminium Part no. | Brass Part no. | Stainless Part no. |
|-------------|-------------------|------|------|------|------|----------|-------------------------|-------------------------|-------------------------|-------------------------|
| M3 | | | | | | | | | | |
| M4 | 0.5-4.0 | 7.0 | 13.5 | 8.0 | 0.50 | 8.0 | T4M-040.25TS/KN | A4M-040.25TS/KN | B4M-040.25TS/KN | E4M-040.25TS/KN |
| | 2.5-5.5 | 7.0 | 15.0 | 8.0 | 0.50 | 8.0 | T4M-055.37TS/KN | A4M-055.37TS/KN | B4M-055.37TS/KN | E4M-055.37TS/KN |
| | 4.0-7.0 | 7.0 | 16.5 | 8.0 | 0.50 | 8.0 | T4M-070.49TS/KN | A4M-070.49TS/KN | B4M-070.49TS/KN | E4M-070.49TS/KN |
| M5 | 0.5-5.0 | 8.0 | 16.0 | 9.0 | 0.50 | 9.0 | T5M-050.29TS/KN | A5M-050.29TS/KN | B5M-050.29TS/KN | E5M-050.29TS/KN |
| | 3.0-7.0 | 8.0 | 18.0 | 9.0 | 0.50 | 9.0 | T5M-070.43TS/KN | A5M-070.43TS/KN | B5M-070.43TS/KN | E5M-070.43TS/KN |
| M6 | 0.5-4.5 | 9.0 | 16.0 | 10.0 | 0.50 | 10.0 | T6M-045.33TS/KN | A6M-045.33TS/KN | B6M-045.33TS/KN | E6M-045.33TS/KN |
| | 0.5-6.0 | 9.0 | 17.5 | 10.0 | 0.50 | 10.0 | T6M-060.33TS/KN | A6M-060.33TS/KN | B6M-060.33TS/KN | E6M-060.33TS/KN |
| | 4.0-9.0 | 9.0 | 21.0 | 10.0 | 0.50 | 10.0 | T6M-090.61TS/KN | A6M-090.61TS/KN | B6M-090.61TS/KN | E6M-090.61TS/KN |
| M8 | 0.5-6.0 | 11.0 | 19.5 | 12.0 | 0.60 | 12.0 | T8M-060.41TS/KN | A8M-060.41TS/KN | B8M-060.41TS/KN | E8M-060.41TS/KN |
| | 0.5-8.0 | 11.0 | 21.5 | 12.0 | 0.60 | 12.0 | T8M-080.45TS/KN | A8M-080.45TS/KN | B8M-080.45TS/KN | E8M-080.45TS/KN |
| | 4.0-11.0 | 11.0 | 25.0 | 12.0 | 0.60 | 12.0 | T8M-110.70TS/KN | A8M-110.70TS/KN | B8M-110.70TS/KN | E8M-110.70TS/KN |
| | 6.5-13.0 | 11.0 | 27.0 | 12.0 | 0.60 | 12.0 | T8M-130.88TS/KN | A8M-130.88TS/KN | B8M-130.88TS/KN | E8M-130.88TS/KN |
| M10 | 0.8-7.0 | 13.0 | 25.0 | 14.0 | 0.60 | 16.0 | T10M-070.48TS/KN | A10M-070.48TS/KN | B10M-070.48TS/KN | E10M-070.48TS/KN |
| | 1.5-10.0 | 13.0 | 28.0 | 14.0 | 0.60 | 16.0 | T10M-100.58TS/KN | A10M-100.58TS/KN | B10M-100.58TS/KN | E10M-100.58TS/KN |
| | 5.5-14.0 | 13.0 | 32.0 | 14.0 | 0.60 | 16.0 | T10M-140.98TS/KN | A10M-140.98TS/KN | B10M-140.98TS/KN | E10M-140.98TS/KN |

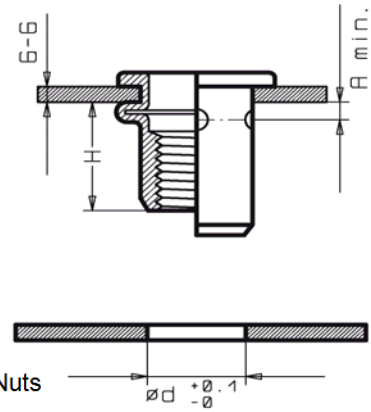
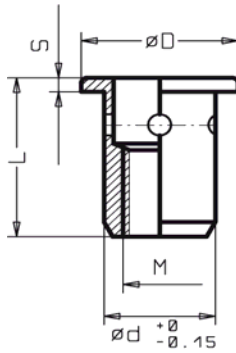
STEEL zinc - trivalente

11.04.2010

DATA SHEET **D 301**

LARGE FLANGE HEAD

Type: **LF-BCT**



BCT- Bulge controlled

G-G

other grip ranges can be manufactured on request

Tappex MultiRiv Rivet Nuts
Part Number 025/.....

30A

All dimensions in metric

Dimensions with **part number** in bold are stock items

| M Thread | G-G Grip range | ød | L | øD | S | H ca. | Steel Part no. | Aluminium Part no. | Brass Part no. | Stainless Part no. |
|----------------------|-------------------|------|------|------|------|----------|-----------------------|-----------------------|-----------------------|-----------------------|
| M3 | | | | | | | | | | |
| M4 A =1.5 | 0.5-1.5 | 7.0 | 14.0 | 10.0 | 0.80 | 8.0 | T4M-040.25LF | A4M-040.25LF | B4M-040.25LF | E4M-040.25LF |
| | 1.5-2.5 | 7.0 | 14.5 | 10.0 | 0.80 | 8.0 | T4M-045.32LF | A4M-045.32LF | B4M-045.32LF | E4M-045.32LF |
| | 2.5-3.5 | 7.0 | 15.5 | 10.0 | 0.80 | 8.0 | T4M-055.42LF | A4M-055.42LF | B4M-055.42LF | E4M-055.42LF |
| | 3.5-4.5 | 7.0 | 16.5 | 10.0 | 0.80 | 8.0 | T4M-065.52LF | A4M-065.52LF | B4M-065.52LF | E4M-065.52LF |
| | 4.5-5.5 | 7.0 | 17.5 | 10.0 | 0.80 | 8.0 | T4M-075.62LF | A4M-075.62LF | B4M-075.62LF | E4M-075.62LF |
| M5 A =1.8 | 0.5-2.0 | 8.0 | 17.0 | 11.0 | 1.00 | 9.5 | T5M-050.29LF | A5M-050.29LF | B5M-050.29LF | E5M-050.29LF |
| | 2.0-3.0 | 8.0 | 18.0 | 11.0 | 1.00 | 10.0 | T5M-055.40LF | A5M-055.40LF | B5M-055.40LF | E5M-055.40LF |
| | 3.0-4.0 | 8.0 | 19.0 | 11.0 | 1.00 | 10.0 | T5M-065.50LF | A5M-065.50LF | B5M-065.50LF | E5M-065.50LF |
| | 4.0-5.0 | 8.0 | 20.0 | 11.0 | 1.00 | 10.0 | T5M-075.60LF | A5M-075.60LF | B5M-075.60LF | E5M-075.60LF |
| M6 A =2.0 | 0.5-2.5 | 9.0 | 18.0 | 13.0 | 1.50 | 10.5 | T6M-045.33LF | A6M-045.33LF | B6M-045.33LF | E6M-045.33LF |
| | 2.5-4.0 | 9.0 | 20.0 | 13.0 | 1.50 | 10.5 | T6M-065.50LF | A6M-065.50LF | B6M-065.50LF | E6M-065.50LF |
| | 4.0-5.5 | 9.0 | 21.5 | 13.0 | 1.50 | 10.5 | T6M-080.66LF | A6M-080.66LF | B6M-080.66LF | E6M-080.66LF |
| | 5.5-7.0 | 9.0 | 23.0 | 13.0 | 1.50 | 10.5 | T6M-095.80LF | A6M-095.80LF | B6M-095.80LF | E6M-095.80LF |
| M8 A =2.3 | 1.0-3.0 | 11.0 | 20.5 | 16.0 | 1.50 | 12.5 | T8M-060.43LF | A8M-060.43LF | B8M-060.43LF | E8M-060.43LF |
| | 3.0-5.0 | 11.0 | 24.0 | 16.0 | 1.50 | 12.5 | T8M-090.62LF | A8M-090.62LF | B8M-090.62LF | E8M-090.62LF |
| | 4.5-6.5 | 11.0 | 26.0 | 16.0 | 1.50 | 12.5 | T8M-110.77LF | A8M-110.77LF | B8M-110.77LF | E8M-110.77LF |
| | 6.5-8.5 | 11.0 | 28.0 | 16.0 | 1.50 | 12.5 | T8M-130.97LF | A8M-130.97LF | B8M-130.97LF | E8M-130.97LF |
| M10 A =2.7 | 1.0-3.5 | 13.0 | 26.0 | 19.0 | 2.00 | 15.5 | T10M-070.50LF | A10M-070.50LF | B10M-070.50LF | E10M-070.50LF |
| | 3.5-6.0 | 13.0 | 29.0 | 19.0 | 2.00 | 15.5 | T10M-100.75LF | A10M-100.75LF | B10M-100.75LF | E10M-100.75LF |
| | 6.0-8.5 | 13.0 | 34.0 | 19.0 | 2.00 | 16.5 | T10M-140.100LF | A10M-140.100LF | B10M-140.100LF | E10M-140.100LF |

STEEL zinc - trivalente

11.04.2010



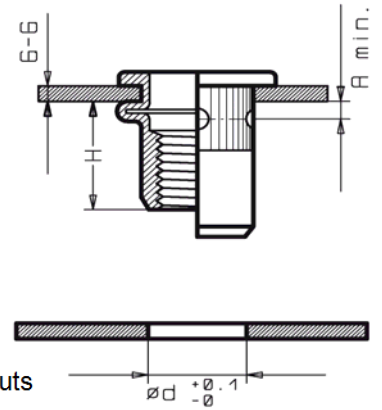
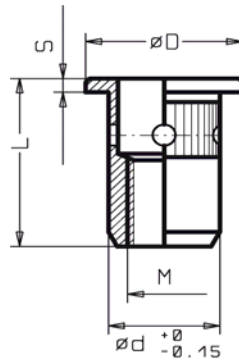
TAPPEX THREAD INSERTS LTD
Masons Road, Stratford-upon-Avon
CV37 9NT

Tel. (01789) 206600 Fax. (01789) 414194
e-mail: sales@tappex.co.uk
web: www.tappex.co.uk

DATA SHEET **D 303**

LARGE FLANGE HEAD
Type: **LF/KN-BCT**

BCT- Bulge controlled



G-G

other grip ranges can be manufactured on request

Tappex MultiRiv Rivet Nuts
Part Number 025/.....

30C

All dimensions in metric

Dimensions with **part number** in bold are stock items

| M Thread | G-G Grip range | ød | L | øD | S | H ca. | Steel Part no. | Aluminium Part no. | Brass Part no. | Stainless Part no. |
|----------------------|-------------------|------|------|------|------|----------|--------------------------|--------------------------|--------------------------|--------------------------|
| M3 | | | | | | | | | | |
| M4 A =1.5 | 0.5-1.5 | 7.0 | 14.0 | 10.0 | 0.80 | 8.0 | T4M-040.25LF/KN | A4M-040.25LF/KN | B4M-040.25LF/KN | E4M-040.25LF/KN |
| | 1.5-2.5 | 7.0 | 14.5 | 10.0 | 0.80 | 8.0 | T4M-045.32LF/KN | A4M-045.32LF/KN | B4M-045.32LF/KN | E4M-045.32LF/KN |
| | 2.5-3.5 | 7.0 | 15.5 | 10.0 | 0.80 | 8.0 | T4M-055.42LF/KN | A4M-055.42LF/KN | B4M-055.42LF/KN | E4M-055.42LF/KN |
| | 3.5-4.5 | 7.0 | 16.5 | 10.0 | 0.80 | 8.0 | T4M-065.52LF/KN | A4M-065.52LF/KN | B4M-065.52LF/KN | E4M-065.52LF/KN |
| | 4.5-5.5 | 7.0 | 17.5 | 10.0 | 0.80 | 8.0 | T4M-075.62LF/KN | A4M-075.62LF/KN | B4M-075.62LF/KN | E4M-075.62LF/KN |
| M5 A =1.8 | 0.5-2.0 | 8.0 | 17.0 | 11.0 | 1.00 | 9.5 | T5M-050.29LF/KN | A5M-050.29LF/KN | B5M-050.29LF/KN | E5M-050.29LF/KN |
| | 2.0-3.0 | 8.0 | 18.0 | 11.0 | 1.00 | 10.0 | T5M-055.40LF/KN | A5M-055.40LF/KN | B5M-055.40LF/KN | E5M-055.40LF/KN |
| | 3.0-4.0 | 8.0 | 19.0 | 11.0 | 1.00 | 10.0 | T5M-065.50LF/KN | A5M-065.50LF/KN | B5M-065.50LF/KN | E5M-065.50LF/KN |
| | 4.0-5.0 | 8.0 | 20.0 | 11.0 | 1.00 | 10.0 | T5M-075.60LF/KN | A5M-075.60LF/KN | B5M-075.60LF/KN | E5M-075.60LF/KN |
| M6 A =2.0 | 0.5-2.5 | 9.0 | 18.0 | 13.0 | 1.50 | 10.5 | T6M-045.33LF/KN | A6M-045.33LF/KN | B6M-045.33LF/KN | E6M-045.33LF/KN |
| | 2.5-4.0 | 9.0 | 20.0 | 13.0 | 1.50 | 10.5 | T6M-065.50LF/KN | A6M-065.50LF/KN | B6M-065.50LF/KN | E6M-065.50LF/KN |
| | 4.0-5.5 | 9.0 | 21.5 | 13.0 | 1.50 | 10.5 | T6M-080.66LF/KN | A6M-080.66LF/KN | B6M-080.66LF/KN | E6M-080.66LF/KN |
| | 5.5-7.0 | 9.0 | 23.0 | 13.0 | 1.50 | 10.5 | T6M-095.80LF/KN | A6M-095.80LF/KN | B6M-095.80LF/KN | E6M-095.80LF/KN |
| M8 A =2.3 | 1.0-3.0 | 11.0 | 20.5 | 16.0 | 1.50 | 12.5 | T8M-060.43LF/KN | A8M-060.43LF/KN | B8M-060.43LF/KN | E8M-060.43LF/KN |
| | 3.0-5.0 | 11.0 | 24.0 | 16.0 | 1.50 | 12.5 | T8M-090.62LF/KN | A8M-090.62LF/KN | B8M-090.62LF/KN | E8M-090.62LF/KN |
| | 4.5-6.5 | 11.0 | 26.0 | 16.0 | 1.50 | 12.5 | T8M-110.77LF/KN | A8M-110.77LF/KN | B8M-110.77LF/KN | E8M-110.77LF/KN |
| | 6.5-8.5 | 11.0 | 28.0 | 16.0 | 1.50 | 12.5 | T8M-130.97LF/KN | A8M-130.97LF/KN | B8M-130.97LF/KN | E8M-130.97LF/KN |
| M10 A =2.7 | 1.0-3.5 | 13.0 | 26.0 | 19.0 | 2.00 | 15.5 | T10M-070.50LF/KN | A10M-070.50LF/KN | B10M-070.50LF/KN | E10M-070.50LF/KN |
| | 3.5-6.0 | 13.0 | 29.0 | 19.0 | 2.00 | 15.5 | T10M-100.75LF/KN | A10M-100.75LF/KN | B10M-100.75LF/KN | E10M-100.75LF/KN |
| | 6.0-8.5 | 13.0 | 34.0 | 19.0 | 2.00 | 16.5 | T10M-140.100LF/KN | A10M-140.100LF/KN | B10M-140.100LF/KN | E10M-140.100LF/KN |

STEEL zinc - trivalente

11.04.2010

30C



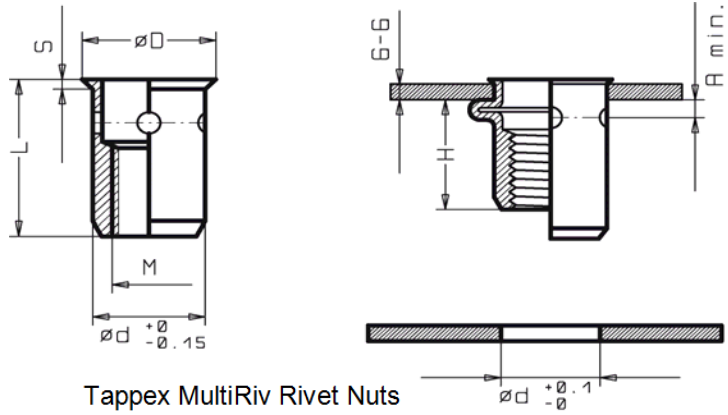
TAPPEX THREAD INSERTS LTD
Masons Road, Stratford-upon-Avon
CV37 9NT

Tel. (01789) 206600 Fax. (01789) 414194
e-mail: sales@tappex.co.uk
web: www.tappex.co.uk

Page **D 303**

DATA SHEET D 313

SMALL COUNTERSUNK HEAD
Type: **TS-BCT**



BCT- Bulge controlled

G-G

other grip ranges can be manufactured on request

Tappex MultiRiv Rivet Nuts
Part Number 025/.....

34A

All dimensions in metric

Dimensions with **part number** in bold are stock items

| M Thread | G-G Grip range | ød | L | øD | S | H ca. | Steel Part no. | Aluminium Part no. | Brass Part no. | Stainless Part no. |
|----------------------|-------------------|------|------|------|------|----------|----------------------|-----------------------|----------------------|-----------------------|
| M3 | | | | | | | | | | |
| M4 A =1.5 | 0.5-1.5 | 7.0 | 13.5 | 8.0 | 0.50 | 8.0 | T4M-040.25TS | A4M-040.25TS | B4M-040.25TS | E4M-040.25TS |
| | 1.5-2.5 | 7.0 | 14.0 | 8.0 | 0.50 | 8.0 | T4M-045.32TS | A4M-045.32TS | B4M-045.32TS | E4M-045.32TS |
| | 2.5-3.5 | 7.0 | 15.0 | 8.0 | 0.50 | 8.0 | T4M-055.42TS | A4M-055.42TS | B4M-055.42TS | E4M-055.42TS |
| | 3.5-4.5 | 7.0 | 16.0 | 8.0 | 0.50 | 8.0 | T4M-065.52TS | A4M-065.52TS | B4M-065.52TS | E4M-065.52TS |
| | 4.5-5.5 | 7.0 | 17.0 | 8.0 | 0.50 | 8.0 | T4M-075.62TS | A4M-075.62TS | B4M-075.62TS | E4M-075.62TS |
| M5 A =1.8 | 0.5-2.0 | 8.0 | 16.0 | 9.0 | 0.50 | 9.5 | T5M-050.29TS | A5M-050.29TS | B5M-050.29TS | E5M-050.29TS |
| | 2.0-3.0 | 8.0 | 17.0 | 9.0 | 0.50 | 9.5 | T5M-055.40TS | A5M-055.40TS | B5M-055.40TS | E5M-055.40TS |
| | 3.0-4.0 | 8.0 | 18.0 | 9.0 | 0.50 | 9.5 | T5M-065.50TS | A5M-065.50TS | B5M-065.50TS | E5M-065.50TS |
| | 4.0-5.0 | 8.0 | 19.0 | 9.0 | 0.50 | 9.5 | T5M-075.60TS | A5M-075.60TS | B5M-075.60TS | E5M-075.60TS |
| M6 A =2.0 | 0.5-2.5 | 9.0 | 17.0 | 10.0 | 0.50 | 10.5 | T6M-045.33TS | A6M-045.33TS | B6M-045.33TS | E6M-045.33TS |
| | 2.5-4.0 | 9.0 | 19.0 | 10.0 | 0.50 | 10.5 | T6M-065.50TS | A6M-065.50TS | B6M-065.50TS | E6M-065.50TS |
| | 4.0-5.5 | 9.0 | 20.5 | 10.0 | 0.50 | 10.5 | T6M-080.64TS | A6M-080.64TS | B6M-080.64TS | E6M-080.64TS |
| | 5.5-7.0 | 9.0 | 22.0 | 10.0 | 0.50 | 10.5 | T6M-095.80TS | A6M-095.80TS | B6M-095.80TS | E6M-095.80TS |
| M8 A =2.3 | 1.0-3.0 | 11.0 | 20.0 | 12.0 | 0.60 | 12.5 | T8M-060.41TS | A8M-060.41TS | B8M-060.41TS | E8M-060.41TS |
| | 3.0-5.0 | 11.0 | 23.0 | 12.0 | 0.60 | 12.5 | T8M-090.60TS | A8M-090.60TS | B8M-090.60TS | E8M-090.60TS |
| | 4.5-6.5 | 11.0 | 24.0 | 12.0 | 0.60 | 12.5 | T8M-100.74TS | A8M-100.74TS | B8M-100.74TS | E8M-100.74TS |
| | 6.0-8.0 | 11.0 | 27.0 | 12.0 | 0.60 | 12.5 | T8M-130.88TS | A8M-130.88TS | B8M-130.88TS | E8M-130.88TS |
| M10 A =2.7 | 1.0-3.5 | 13.0 | 25.0 | 14.0 | 0.60 | 16.0 | T10M-070.48TS | A10M-070.48TS | B10M-070.48TS | E10M-070.48TS |
| | 3.5-6.0 | 13.0 | 28.0 | 14.0 | 0.60 | 16.5 | T10M-095.73TS | A10M-095.73TS | B10M-095.73TS | E10M-095.73TS |
| | 6.0-8.5 | 13.0 | 32.0 | 14.0 | 0.60 | 16.5 | T10M-140.98TS | A10M-140.98TS | B10M-140.98TS | E10M-140.98TS |

STEEL zinc - trivalente

11.04.2010

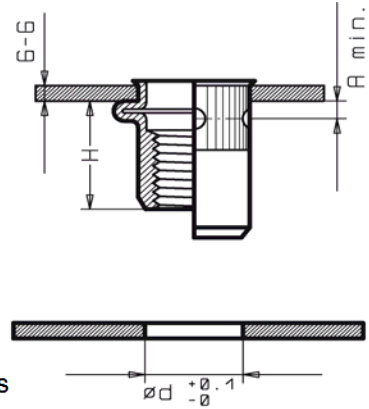
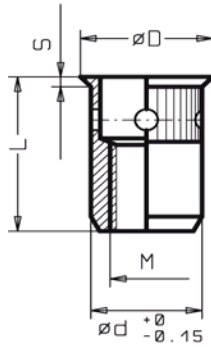


TAPPEX THREAD INSERTS LTD
Masons Road, Stratford-upon-Avon
CV37 9NT

Tel. (01789) 206600 Fax. (01789) 414194
e-mail: sales@tappex.co.uk
web: www.tappex.co.uk

DATA SHEET D 315

SMALL COUNTERSUNK HEAD
Type: **TS/KN-BCT**



BCT- Bulge controlled

G-G

other grip ranges can be manufactured on request

Tappex MultiRiv Rivet Nuts
Part Number 025/.....

34C

All dimensions in metric

Dimensions with **part number** in bold are stock items

| M Thread | G-G Grip range | ød | L | øD | S | H ca. | Steel Part no. | Aluminium Part no. | Brass Part no. | Stainless Part no. |
|----------------------|-------------------|------|------|------|------|----------|-------------------------|-------------------------|-------------------------|-------------------------|
| M3 | | | | | | | | | | |
| M4 A =1.5 | 0.5-1.5 | 7.0 | 13.5 | 8.0 | 0.50 | 8.0 | T4M-040.25TS/KN | A4M-040.25TS/KN | B4M-040.25TS/KN | E4M-040.25TS/KN |
| | 1.5-2.5 | 7.0 | 14.0 | 8.0 | 0.50 | 8.0 | T4M-045.32TS/KN | A4M-045.32TS/KN | B4M-045.32TS/KN | E4M-045.32TS/KN |
| | 2.5-3.5 | 7.0 | 15.0 | 8.0 | 0.50 | 8.0 | T4M-055.42TS/KN | A4M-055.42TS/KN | B4M-055.42TS/KN | E4M-055.42TS/KN |
| | 3.5-4.5 | 7.0 | 16.0 | 8.0 | 0.50 | 8.0 | T4M-065.52TS/KN | A4M-065.52TS/KN | B4M-065.52TS/KN | E4M-065.52TS/KN |
| | 4.5-5.5 | 7.0 | 17.0 | 8.0 | 0.50 | 8.0 | T4M-075.62TS/KN | A4M-075.62TS/KN | B4M-075.62TS/KN | E4M-075.62TS/KN |
| M5 A =1.8 | 0.5-2.0 | 8.0 | 16.0 | 9.0 | 0.50 | 9.5 | T5M-050.29TS/KN | A5M-050.29TS/KN | B5M-050.29TS/KN | E5M-050.29TS/KN |
| | 2.0-3.0 | 8.0 | 17.0 | 9.0 | 0.50 | 9.5 | T5M-055.40TS/KN | A5M-055.40TS/KN | B5M-055.40TS/KN | E5M-055.40TS/KN |
| | 3.0-4.0 | 8.0 | 18.0 | 9.0 | 0.50 | 9.5 | T5M-065.50TS/KN | A5M-065.50TS/KN | B5M-065.50TS/KN | E5M-065.50TS/KN |
| | 4.0-5.0 | 8.0 | 19.0 | 9.0 | 0.50 | 9.5 | T5M-075.60TS/KN | A5M-075.60TS/KN | B5M-075.60TS/KN | E5M-075.60TS/KN |
| M6 A =2.0 | 0.5-2.5 | 9.0 | 17.0 | 10.0 | 0.50 | 10.5 | T6M-045.33TS/KN | A6M-045.33TS/KN | B6M-045.33TS/KN | E6M-045.33TS/KN |
| | 2.5-4.0 | 9.0 | 19.0 | 10.0 | 0.50 | 10.5 | T6M-065.50TS/KN | A6M-065.50TS/KN | B6M-065.50TS/KN | E6M-065.50TS/KN |
| | 4.0-5.5 | 9.0 | 20.5 | 10.0 | 0.50 | 10.5 | T6M-080.64TS/KN | A6M-080.64TS/KN | B6M-080.64TS/KN | E6M-080.64TS/KN |
| | 5.5-7.0 | 9.0 | 22.0 | 10.0 | 0.50 | 10.5 | T6M-095.80TS/KN | A6M-095.80TS/KN | B6M-095.80TS/KN | E6M-095.80TS/KN |
| M8 A =2.3 | 1.0-3.0 | 11.0 | 20.0 | 12.0 | 0.60 | 12.5 | T8M-060.41TS/KN | A8M-060.41TS/KN | B8M-060.41TS/KN | E8M-060.41TS/KN |
| | 3.0-5.0 | 11.0 | 23.0 | 12.0 | 0.60 | 12.5 | T8M-090.60TS/KN | A8M-090.60TS/KN | B8M-090.60TS/KN | E8M-090.60TS/KN |
| | 4.5-6.5 | 11.0 | 24.0 | 12.0 | 0.60 | 12.5 | T8M-100.74TS/KN | A8M-100.74TS/KN | B8M-100.74TS/KN | E8M-100.74TS/KN |
| | 6.0-8.0 | 11.0 | 27.0 | 12.0 | 0.60 | 12.5 | T8M-130.88TS/KN | A8M-130.88TS/KN | B8M-130.88TS/KN | E8M-130.88TS/KN |
| M10 A =2.7 | 1.0-3.5 | 13.0 | 25.0 | 14.0 | 0.60 | 16.0 | T10M-070.48TS/KN | A10M-070.48TS/KN | B10M-070.48TS/KN | E10M-070.48TS/KN |
| | 3.5-6.0 | 13.0 | 28.0 | 14.0 | 0.60 | 16.5 | T10M-095.73TS/KN | A10M-095.73TS/KN | B10M-095.73TS/KN | E10M-095.73TS/KN |
| | 6.0-8.5 | 13.0 | 32.0 | 14.0 | 0.60 | 16.5 | T10M-140.98TS/KN | A10M-140.98TS/KN | B10M-140.98TS/KN | E10M-140.98TS/KN |

STEEL zinc - trivalent

11.04.2010



TAPPEX THREAD INSERTS LTD
Masons Road, Stratford-upon-Avon
CV37 9NT

Tel. (01789) 206600 Fax. (01789) 414194
e-mail: sales@tappex.co.uk
web: www.tappex.co.uk

DATA SHEET **D 201**

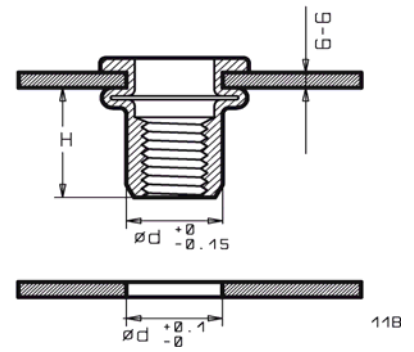
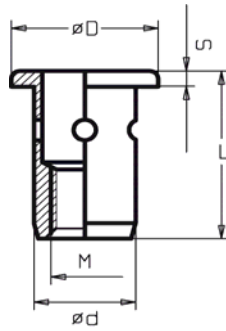
LARGE FLANGE HEAD

Type: **hLF**

BCT for high performance

Steel: Bolt Metric Class **12.9**

Alum: Bolt Metric Class **8.8**



G-G

other grip ranges can be manufactured on request

Tappex MultiRiv Rivet Nuts

Part Number 025/.....

All dimensions in metric

Dimensions with **part number** in bold are stock items

| M Thread | G-G Grip range | ød | L | øD | S | H Ca. | Steel 12.9 Part no. | Aluminium 8.8 Part no. | Brass Part no. | Stainless Part no. |
|-----------------------------------|-------------------|------|------|------|------|----------|------------------------|---------------------------|-------------------|-----------------------|
| M3 | | | | | | | | | | |
| M4 | | | | | | | | | | |
| M5 No 10-32 No 10-24 | 0.7-2.5 | 8.0 | 16.0 | 11.0 | 1.00 | 10.0 | HT5M-25hLF | HA5M-25hLF | -- | -- |
| | 2.5-4.0 | 8.0 | 17.5 | 11.0 | 1.00 | 10.5 | HT5M-40hLF | HA5M-40hLF | -- | -- |
| M6 1/4-20 1/4-28 | 1.0-3.0 | 9.0 | 19.0 | 13.0 | 1.50 | 11.5 | HT6M-30hLF | HA6M-30hLF | -- | -- |
| | 3.0-5.0 | 9.0 | 21.0 | 13.0 | 1.50 | 11.5 | HT6M-50hLF | HA6M-50hLF | -- | -- |
| M8 5/16-18 5/16-24 | 1.5-4.0 | 11.0 | 23.0 | 16.0 | 1.50 | 14.0 | HT8M-40hLF | HA8M-40hLF | -- | -- |
| | 4.0-6.0 | 11.0 | 25.0 | 16.0 | 1.50 | 14.0 | HT8M-60hLF | HA8M-60hLF | -- | -- |
| | 6.0-8.0 | 11.0 | 27.0 | 16.0 | 1.50 | 14.0 | HT8M-80hLF | HA8M-80hLF | -- | -- |
| M10 3/8-16 3/8-24 | 2.0-5.0 | 13.0 | 28.0 | 19.0 | 2.00 | 18.0 | HT10M-50hLF | HA10M-50hLF | -- | -- |
| | 4.5-7.0 | 13.0 | 30.0 | 19.0 | 2.00 | 18.0 | HT10M-70hLF | HA10M-70hLF | -- | -- |
| | 6.5-9.0 | 13.0 | 32.0 | 19.0 | 2.00 | 18.0 | HT10M-90hLF | HA10M-90hLF | -- | -- |

STEEL zinc - trivalente



TAPPEX THREAD INSERTS LTD
Masons Road, Stratford-upon-Avon
CV37 9NT

05.03.2010

Tel. (01789) 206600 Fax. (01789) 414194
e-mail: sales@tappex.co.uk
web: www.tappex.co.uk

DATA SHEET **D 203**

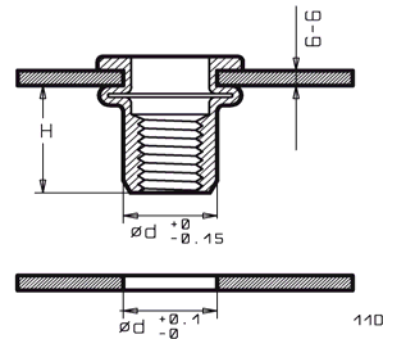
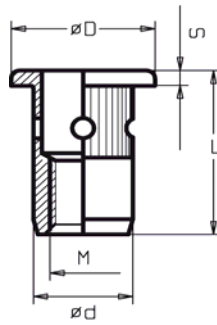
LARGE FLANGE HEAD

Type: **hLF/KN**

BCT for high performance

Steel: Bolt Metric Class **12.9**

Alum: Bolt Metric Class **8.8**



G-G

other grip ranges can be manufactured on request

Tappex MultiRiv Rivet Nuts

Part Number 025/.....

All dimensions in metric

Dimensions with **part number** in bold are stock items

| M Thread | G-G Grip range | ød | L | øD | S | H Ca. | Steel 12.9 Part no. | Aluminium 8.8 Part no. | Brass Part no. | Stainless Part no. |
|-----------------------------------|-------------------|------|------|------|------|----------|------------------------|---------------------------|-------------------|-----------------------|
| M3 | | | | | | | | | | |
| M4 | | | | | | | | | | |
| M5 No 10-32 No 10-24 | 0.7-2.5 | 8.0 | 16.0 | 11.0 | 1.00 | 10.0 | HT5M-25hLF/KN | HA5M-25hLF/KN | -- | -- |
| | 2.5-4.0 | 8.0 | 17.5 | 11.0 | 1.00 | 10.5 | HT5M-40hLF/KN | HA5M-40hLF/KN | -- | -- |
| M6 1/4-20 1/4-28 | 1.0-3.0 | 9.0 | 19.0 | 13.0 | 1.50 | 11.5 | HT6M-30hLF/KN | HA6M-30hLF/KN | -- | -- |
| | 3.0-5.0 | 9.0 | 21.0 | 13.0 | 1.50 | 11.5 | HT6M-50hLF/KN | HA6M-50hLF/KN | -- | -- |
| M8 5/16-18 5/16-24 | 1.5-4.0 | 11.0 | 23.0 | 16.0 | 1.50 | 14.0 | HT8M-40hLF/KN | HA8M-40hLF/KN | -- | -- |
| | 4.0-6.0 | 11.0 | 25.0 | 16.0 | 1.50 | 14.0 | HT8M-60hLF/KN | HA8M-60hLF/KN | -- | -- |
| | 6.0-8.0 | 11.0 | 27.0 | 16.0 | 1.50 | 14.0 | HT8M-80hLF/KN | HA8M-80hLF/KN | -- | -- |
| M10 3/8-16 3/8-24 | 2.0-5.0 | 13.0 | 28.0 | 19.0 | 2.00 | 18.0 | HT10M-50hLF/KN | HA10M-50hLF/KN | -- | -- |
| | 4.5-7.0 | 13.0 | 30.0 | 19.0 | 2.00 | 18.0 | HT10M-70hLF/KN | HA10M-70hLF/KN | -- | -- |
| | 6.5-9.0 | 13.0 | 32.0 | 19.0 | 2.00 | 18.0 | HT10M-90hLF/KN | HA10M-90hLF/KN | -- | -- |

STEEL zinc - trivalente

05.03.2010

11D

Page **D 203**



TAPPEX THREAD INSERTS LTD
Masons Road, Stratford-upon-Avon
CV37 9NT

Tel. (01789) 206600 Fax. (01789) 414194
e-mail: sales@tappex.co.uk
web: www.tappex.co.uk

DATA SHEET **D213**

SMALL COUNTERSUNK HEAD

Type: **hTS**

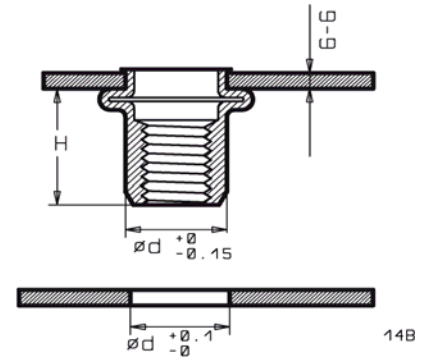
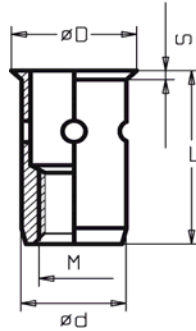
BCT for high performance

Steel: Bolt Metric Class **12.9**

Alum: Bolt Metric Class **8.8**

G-G

other grip ranges can be manufactured on request



Tappex MultiRiv Rivet Nuts
Part Number 025/.....

All dimensions in metric

Dimensions with **part number** in bold are stock items

| M Thread | G-G Grip range | ød | L | øD | S | H Ca. | Steel 12.9 Part no. | Aluminium 8.8 Part no. | Brass Part no. | Stainless Part no. |
|-----------------------------------|-------------------------------|----------------------|----------------------|----------------------|----------------------|----------------------|--|--|-------------------|-----------------------|
| M3 | | | | | | | | | | |
| M4 | | | | | | | | | | |
| M5 No 10-32 No 10-24 | 0.7-2.5 2.5-4.0 | 8.0 8.0 | 15.0 16.5 | 9.0 9.0 | 0.50 0.50 | 9.5 9.0 | HT5M-25hTS HT5M-40hTS | HA5M-25hTS HA5M-40hTS | -- -- | -- -- |
| M6 1/4-20 1/4-28 | 1.0-3.0 3.0-5.0 | 9.0 9.0 | 18.0 20.0 | 10.0 10.0 | 0.50 0.50 | 11.0 11.0 | HT6M-30hTS HT6M-50hTS | HA6M-30hTS HA6M-50hTS | -- -- | -- -- |
| M8 5/16-18 5/16-24 | 1.5-4.0 4.0-6.0 6.0-8.0 | 11.0 11.0 11.0 | 22.0 24.0 26.0 | 12.0 12.0 12.0 | 0,60 0,60 0,60 | 13.5 13.5 13.5 | HT8M-40hTS HT8M-60hTS HT8M-80hTS | HA8M-40hTS HA8M-60hTS HA8M-80hTS | -- -- -- | -- -- -- |
| M10 3/8-16 3/8-24 | 2.0-5.0 4.5-7.0 6.5-9.0 | 13.0 13.0 13.0 | 27.0 29.0 31.0 | 14.0 14.0 14.0 | 0,60 0,60 0,60 | 18.0 18.0 18.0 | HT10M-50hTS HT10M-70hTS HT10M-90hTS | HA10M-50hTS HA10M-70hTS HA10M-90hTS | -- -- -- | -- -- -- |

STEEL zinc - trivalente

05.03.2010

DATA SHEET **D215**

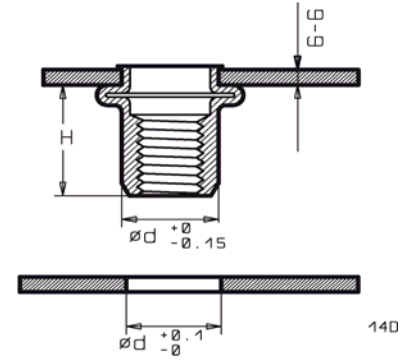
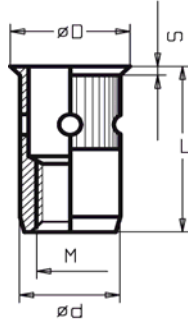
SMALL COUNTERSUNK HEAD

Type: **hTS/KN**

BCT for high performance

Steel: Bolt Metric Class **12.9**

Alum: Bolt Metric Class **8.8**



G-G

other grip ranges can be manufactured on request

Tappex MultiRiv Rivet Nuts

Part Number 025/.....

All dimensions in metric

Dimensions with **part number** in bold are stock items

| M Thread | G-G Grip range | ød | L | øD | S | H Ca. | Steel 12.9 Part no. | Aluminium 8.8 Part no. | Brass Part no. | Stainless Part no. |
|-----------------------------------|-------------------|------|------|------|------|----------|------------------------|---------------------------|-------------------|-----------------------|
| M3 | | | | | | | | | | |
| M4 | | | | | | | | | | |
| M5 No 10-32 No 10-24 | 0.7-2.5 | 8.0 | 15.0 | 9.0 | 0.50 | 9.5 | HT5M-25hTS/KN | HT5M-25hTS/KN | -- | -- |
| | 2.5-4.0 | 8.0 | 16.5 | 9.0 | 0.50 | 9.0 | HT5M-40hTS/KN | HT5M-40hTS/KN | -- | -- |
| M6 1/4-20 1/4-28 | 1.0-3.0 | 9.0 | 18.0 | 10.0 | 0.50 | 11.0 | HT6M-30hTS/KN | HT6M-30hTS/KN | -- | -- |
| | 3.0-5.0 | 9.0 | 20.0 | 10.0 | 0.50 | 11.0 | HT6M-50hTS/KN | HT6M-50hTS/KN | -- | -- |
| M8 5/16-18 5/16-24 | 1.5-4.0 | 11.0 | 22.0 | 12.0 | 0.60 | 13.5 | HT8M-40hTS/KN | HT8M-40hTS/KN | -- | -- |
| | 4.0-6.0 | 11.0 | 24.0 | 12.0 | 0.60 | 13.5 | HT8M-60hTS/KN | HT8M-60hTS/KN | -- | -- |
| | 6.0-8.0 | 11.0 | 26.0 | 12.0 | 0.60 | 13.5 | HT8M-80hTS/KN | HT8M-80hTS/KN | -- | -- |
| M10 3/8-16 3/8-24 | 2.0-5.0 | 13.0 | 27.0 | 14.0 | 0.60 | 18.0 | HT10M-50hTS/KN | HT10M-50hTS/KN | -- | -- |
| | 4.5-7.0 | 13.0 | 29.0 | 14.0 | 0.60 | 18.0 | HT10M-70hTS/KN | HT10M-70hTS/KN | -- | -- |
| | 6.5-9.0 | 13.0 | 31.0 | 14.0 | 0.60 | 18.0 | HT10M-90hTS/KN | HT10M-90hTS/KN | -- | -- |

STEEL zinc - trivalente

05.03.2010

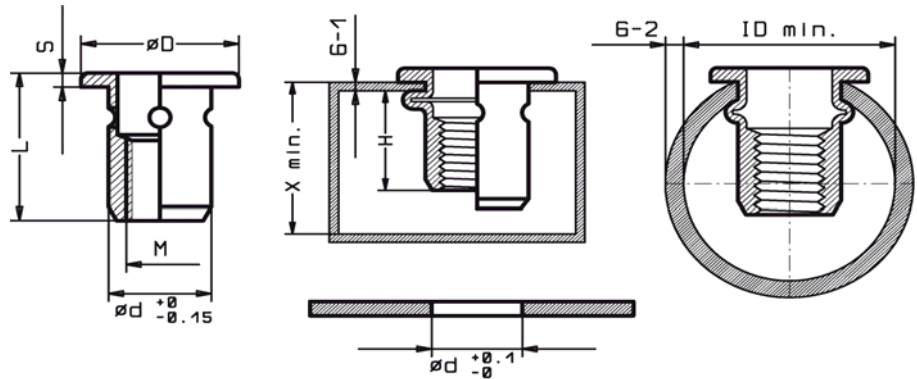
14D



DATA SHEET D 401

LARGE FLANGE HEAD
Type: **sLF**

BCT-MICRO



other grip ranges can be manufactured on request

Tappex MultiRiv Rivet Nuts
Part Number 025/.....

21A

| All dimensions in metric | | | | | PROFILE | | | TUBE | | Dimensions with part Number in bold are stock items | | |
|--------------------------|------|------|------|-----|-----------------|--------------|------------|--------------------|--------------|--|------------------------------|------------------------------|
| M Thread | ød | L | øD | S | G-1 | X | H ca. | G-2 | ID | Steel 8.8 Part no. | Aluminium Part no. | Stainless Part no. |
| M3 | | | | | | | | | | | | |
| M4 No 8-32 | 6.0 | 8.0 | 8.0 | 0.7 | 0.5-0.8 -1.8 | 6.2 7.2 | 4.2 4.2 | 0.3-0.8 0.3-0.8 | 8.5 8.5 | T4M-01sLF | A4M-01sLF | -- |
| | 6.0 | 8.7 | 8.0 | 0.7 | 1.5-2.0 -2.5 | 7.4 7.9 | 4.2 4.2 | 0.8-1.5 0.8-1.5 | 8.5 8.5 | T4M-02sLF | A4M-02sLF | -- |
| M5 No 10-32 | 7.0 | 9.5 | 9.0 | 0.9 | 0.7-1.0 -2.0 | 7.4 8.4 | 5.0 5.0 | 0.5-1.0 0.5-1.0 | 10.0 10.0 | T5M-01sLF | A5M-01sLF | -- |
| | 7.0 | 10.5 | 9.0 | 0.9 | 2.0-2.5 -3.0 | 9.0 9.5 | 5.0 5.0 | 1.0-2.0 1.0-2.0 | 10.0 10.0 | T5M-02sLF | A5M-02sLF | -- |
| M6 1/4-28 | 8.0 | 10.5 | 10.0 | 1.0 | 0.7-1.0 -2.0 | 8.5 9.5 | 6.0 6.0 | 0.5-1.0 0.5-1.0 | 12.0 12.0 | T6M-01sLF | A6M-01sLF | -- |
| | 8.0 | 11.5 | 10.0 | 1.0 | 2.0-2.5 -3.0 | 10.0 10.5 | 6.0 6.0 | 1.0-2.0 1.0-2.0 | 12.0 12.0 | T6M-02sLF | A6M-02sLF | -- |
| M8 5/16-24 | 10.0 | 13.0 | 12.0 | 1.2 | 0.7-1.5 -2.5 | 10.5 11.5 | 7.5 7.5 | 0.5-1.2 0.5-1.2 | 18.0 18.0 | T8M-01sLF | A8M-01sLF | -- |
| | 10.0 | 14.5 | 12.0 | 1.2 | 2.0-3.0 -4.0 | 12.0 13.0 | 7.5 7.5 | 1.0-2.5 1.0-2.5 | 18.0 18.0 | T8M-02sLF | A8M-02sLF | -- |
| | 10.0 | 16.0 | 12.0 | 1.2 | 3.5-4.5 -5.5 | 13.5 14.5 | 7.5 7.5 | 2.0-4.0 2.0-4.0 | 18.0 18.0 | T8M-03sLF | A8M-03sLF | -- |
| M10 3/8-24 | | | | | | | | | | | | -- |

STEEL zinc - trivalente

20.04.2010

21A

Page D 401



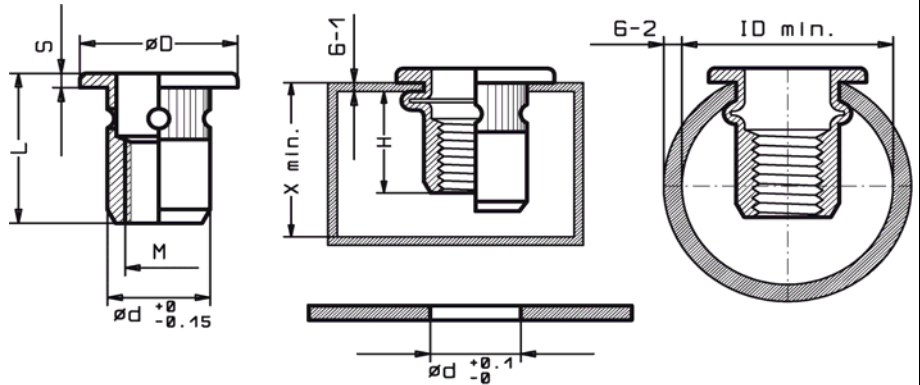
TAPPEX THREAD INSERTS LTD
Masons Road, Stratford-upon-Avon
CV37 9NT

Tel. (01789) 206600 Fax. (01789) 414194
e-mail: sales@tappex.co.uk
web: www.tappex.co.uk

DATA SHEET **D 403**

LARGE FLANGE HEAD
Type: **sLF/KN**

BCT-MICRO



other grip ranges can be manufactured on request

Tappex MultiRiv Rivet Nuts
Part Number 025/.....

21C

| All dimensions in metric | | | | | PROFILE | | | TUBE | | Dimensions with part Number in bold are stock items | | |
|--------------------------|------|------|------|-----|-----------------|--------------|------------|--------------------|--------------|--|------------------------------|------------------------------|
| M Thread | Ød | L | ØD | S | G-1 | X | H Ca. | G-2 | ID | Steel 8.8 Part no. | Aluminium Part no. | Stainless Part no. |
| M3 | | | | | | | | | | | | |
| M4 No 8-32 | 6.0 | 8.0 | 8.0 | 0.7 | 0.5-0.8 -1.8 | 6.2 7.2 | 4.2 4.2 | 0.3-0.8 0.3-0.8 | 8.5 8.5 | T4M-01sLF/KN | A4M-01sLF/KN | -- |
| | 6.0 | 8.7 | 8.0 | 0.7 | 1.5-2.0 -2.5 | 7.4 7.9 | 4.2 4.2 | 0.8-1.5 0.8-1.5 | 8.5 8.5 | T4M-02sLF/KN | A4M-02sLF/KN | -- |
| M5 No 10-32 | 7.0 | 9.5 | 9.0 | 0.9 | 0.7-1.0 -2.0 | 7.4 8.4 | 5.0 5.0 | 0.5-1.0 0.5-1.0 | 10.0 10.0 | T5M-01sLF/KN | A5M-01sLF/KN | -- |
| | 7.0 | 10.5 | 9.0 | 0.9 | 2.0-2.5 -3.0 | 9.0 9.5 | 5.0 5.0 | 1.0-2.0 1.0-2.0 | 10.0 10.0 | T5M-02sLF/KN | A5M-02sLF/KN | -- |
| M6 1/4-28 | 8.0 | 10.5 | 10.0 | 1.0 | 0.7-1.0 -2.0 | 8.5 9.5 | 6.0 6.0 | 0.5-1.0 0.5-1.0 | 12.0 12.0 | T6M-01sLF/KN | A6M-01sLF/KN | -- |
| | 8.0 | 11.5 | 10.0 | 1.0 | 2.0-2.5 -3.0 | 10.0 10.5 | 6.0 6.0 | 1.0-2.0 1.0-2.0 | 12.0 12.0 | T6M-02sLF/KN | A6M-02sLF/KN | -- |
| M8 5/16-24 | 10.0 | 13.0 | 12.0 | 1.2 | 0.7-1.5 -2.5 | 10.5 11.5 | 7.5 7.5 | 0.5-1.2 0.5-1.2 | 18.0 18.0 | T8M-01sLF/KN | A8M-01sLF/KN | -- |
| | 10.0 | 14.5 | 12.0 | 1.2 | 2.0-3.0 -4.0 | 12.0 13.0 | 7.5 7.5 | 1.0-2.5 1.0-2.5 | 18.0 18.0 | T8M-02sLF/KN | A8M-02sLF/KN | -- |
| | 10.0 | 16.0 | 12.0 | 1.2 | 3.5-4.5 -5.5 | 13.5 14.5 | 7.5 7.5 | 2.0-4.0 2.0-4.0 | 18.0 18.0 | T8M-03sLF/KN | A8M-03sLF/KN | -- |
| M10 3/8-24 | | | | | | | | | | | | -- -- -- |

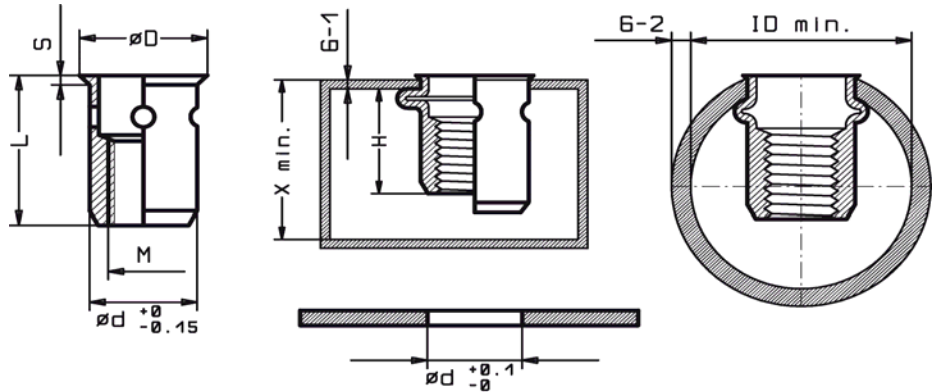
STEEL zinc - trivalente

20.04.2010

DATA SHEET **D 413**

Low profil head
Type: **sTS**

BCT-MICRO



other grip ranges can be manufactured on request

Tappex MultiRiv Rivet Nuts
Part Number 025/.....

20A

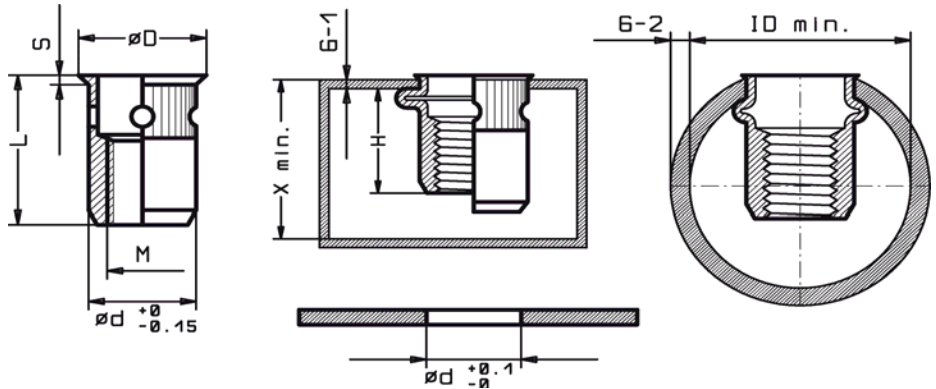
| All dimensions in metric | | | | | PROFILE | | | TUBE | | Dimensions with part Number in bold are stock items | | |
|--------------------------|------|------|------|-----|-----------------|--------------|------------|--------------------|--------------|--|------------------------------|------------------------------|
| M Thread | Ød | L | ØD | S | G-1 | X | H ca. | G-2 | ID | Steel 8.8 Part no. | Aluminium Part no. | Stainless Part no. |
| M3 | | | | | | | | | | | | |
| M4 No 8-32 | 6.0 | 7.8 | 7.0 | 0.5 | 0.5-0.8 -1.8 | 6.2 7.2 | 4.2 4.2 | 0.3-0.8 0.3-0.8 | 8.5 8.5 | T4M-01sTS | A4M-01sTS | -- |
| | 6.0 | 8.5 | 7.0 | 0.5 | 1.5-2.0 -2.5 | 7.4 7.9 | 4.2 4.2 | 0.8-1.5 0.8-1.5 | 8.5 8.5 | T4M-02sTS | A4M-02sTS | -- |
| M5 No 10-32 | 7.0 | 9.0 | 8.0 | 0.5 | 0.7-1.0 -2.0 | 7.4 8.4 | 5.0 5.0 | 0.5-1.0 0.5-1.0 | 10.0 10.0 | T5M-01sTS | A5M-01sTS | -- |
| | 7.0 | 10.0 | 8.0 | 0.5 | 2.0-2.5 -3.0 | 9.0 9.5 | 5.0 5.0 | 1.0-2.0 1.0-2.0 | 10.0 10.0 | T5M-02sTS | A5M-02sTS | -- |
| M6 1/4-28 | 8.0 | 10.0 | 9.0 | 0.6 | 0.7-1.0 -2.0 | 8.5 9.5 | 6.0 6.0 | 0.5-1.0 0.5-1.0 | 12.0 12.0 | T6M-01sTS | A6M-01sTS | -- |
| | 8.0 | 11.0 | 9.0 | 0.6 | 2.0-2.5 -3.0 | 10.0 10.5 | 6.0 6.0 | 1.0-2.0 1.0-2.0 | 12.0 12.0 | T6M-02sTS | A6M-02sTS | -- |
| M8 5/16-24 | 10.0 | 12.5 | 11.0 | 0.6 | 0.7-1.5 -2.5 | 10.5 11.5 | 7.5 7.5 | 0.5-1.2 0.5-1.2 | 18.0 18.0 | T8M-01sTS | A8M-01sTS | -- |
| | 10.0 | 14.0 | 11.0 | 0.6 | 2.0-3.0 -4.0 | 12.0 13.0 | 7.5 7.5 | 1.0-2.5 1.0-2.5 | 18.0 18.0 | T8M-02sTS | A8M-02sTS | -- |
| | 10.0 | 15.5 | 11.0 | 0.6 | 3.5-4.5 -5.5 | 13.5 14.5 | 7.5 7.5 | 2.0-4.0 2.0-4.0 | 18.0 18.0 | T8M-03sTS | A8M-03sTS | -- |
| M10 3/8-24 | | | | | | | | | | | | -- |

STEEL zinc - trivalente

20.04.2010

DATA SHEET **D 415**

Low profil head
Type: **sTS/KN**



BCT-MICRO

other grip ranges can be manufactured on request

Tappex MultiRiv Rivet Nuts
Part Number 025/.....

20C

| All dimensions in metric | | | | | PROFILE | | | TUBE | | Dimensions with part Number in bold are stock items | | |
|--------------------------|------|------|------|-----|-----------------|--------------|------------|--------------------|--------------|--|------------------------------|------------------------------|
| M Thread | ød | L | øD | S | G-1 | X | H ca. | G-2 | ID | Steel 8.8 Part no. | Aluminium Part no. | Stainless Part no. |
| M3 | | | | | | | | | | | | |
| M4 No 8-32 | 6.0 | 7.8 | 7.0 | 0.5 | 0.5-0.8 -1.8 | 6.2 7.2 | 4.2 4.2 | 0.3-0.8 0.3-0.8 | 8.5 8.5 | T4M-01sTS/KN | A4M-01sTS/KN | -- |
| | 6.0 | 8.5 | 7.0 | 0.5 | 1.5-2.0 -2.5 | 7.4 7.9 | 4.2 4.2 | 0.8-1.5 0.8-1.5 | 8.5 8.5 | T4M-02sTS/KN | A4M-02sTS/KN | -- |
| M5 No 10-32 | 7.0 | 9.0 | 8.0 | 0.5 | 0.7-1.0 -2.0 | 7.4 8.4 | 5.0 5.0 | 0.5-1.0 0.5-1.0 | 10.0 10.0 | T5M-01sTS/KN | A5M-01sTS/KN | -- |
| | 7.0 | 10.0 | 8.0 | 0.5 | 2.0-2.5 -3.0 | 9.0 9.5 | 5.0 5.0 | 1.0-2.0 1.0-2.0 | 10.0 10.0 | T5M-02sTS/KN | A5M-02sTS/KN | -- |
| M6 1/4-28 | 8.0 | 10.0 | 9.0 | 0.6 | 0.7-1.0 -2.0 | 8.5 9.5 | 6.0 6.0 | 0.5-1.0 0.5-1.0 | 12.0 12.0 | T6M-01sTS/KN | A6M-01sTS/KN | -- |
| | 8.0 | 11.0 | 9.0 | 0.6 | 2.0-2.5 -3.0 | 10.0 10.5 | 6.0 6.0 | 1.0-2.0 1.0-2.0 | 12.0 12.0 | T6M-02sTS/KN | A6M-02sTS/KN | -- |
| M8 5/16-24 | 10.0 | 12.5 | 11.0 | 0.6 | 0.7-1.5 -2.5 | 10.5 11.5 | 7.5 7.5 | 0.5-1.2 0.5-1.2 | 18.0 18.0 | T8M-01sTS/KN | A8M-01sTS/KN | -- |
| | 10.0 | 14.0 | 11.0 | 0.6 | 2.0-3.0 -4.0 | 12.0 13.0 | 7.5 7.5 | 1.0-2.5 1.0-2.5 | 18.0 18.0 | T8M-02sTS/KN | A8M-02sTS/KN | -- |
| | 10.0 | 15.5 | 11.0 | 0.6 | 3.5-4.5 -5.5 | 13.5 14.5 | 7.5 7.5 | 2.0-4.0 2.0-4.0 | 18.0 18.0 | T8M-03sTS/KN | A8M-03sTS/KN | -- |
| M10 3/8-24 | | | | | | | | | | | | -- |

STEEL zinc - trivalente

20.04.2010