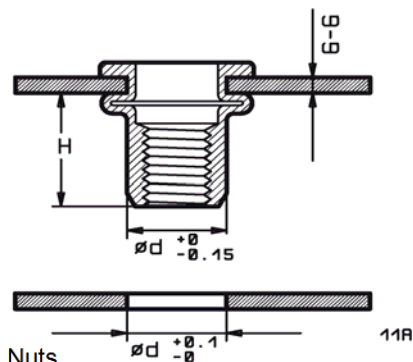
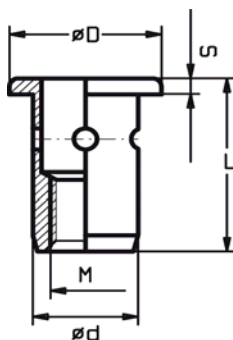


DATA SHEET D 101

LARGE FLANGE HEAD
Type: **LF-BCT**

BCT- MULTIGRIP



G-G

other grip ranges can be manufactured on request

Tappex MultiRiv Rivet Nuts
Part Number 025/.....

All dimensions in metric

Dimensions with **part number** in bold are stock items

M Thread	G-G Grip range	ød	L	øD	S	H Ca.	Steel Part no.	Aluminium Part no.	Brass Part no.	Stainless Part no.
M3										
M4	0.5-4.0	7.0	14.0	10.0	0.80	8.0	T4M-040.25LF	A4M-040.25LF	B4M-040.25LF	E4M-040.25LF
	2.5-5.5	7.0	15.5	10.0	0.80	8.0	T4M-055.37LF	A4M-055.37LF	B4M-055.37LF	E4M-055.37LF
	4.0-7.0	7.0	17.0	10.0	0.80	8.0	T4M-070.49LF	A4M-070.49LF	B4M-070.49LF	E4M-070.49LF
M5	0.5-5.0	8.0	17.0	11.0	1.00	9.5	T5M-050.29LF	A5M-050.29LF	B5M-050.29LF	E5M-050.29LF
	3.0-7.0	8.0	19.0	11.0	1.00	9.5	T5M-070.43LF	A5M-070.43LF	B5M-070.43LF	E5M-070.43LF
M6	0.5-4.5	9.0	17.5	13.0	1.50	10.5	T6M-045.33LF	A6M-045.33LF	B6M-045.33LF	E6M-045.33LF
	0.5-6.0	9.0	19.0	13.0	1.50	10.5	T6M-060.33LF	A6M-060.33LF	B6M-060.33LF	E6M-060.33LF
	4.0-9.0	9.0	22.5	13.0	1.50	10.5	T6M-090.61LF	A6M-090.61LF	B6M-090.61LF	E6M-090.61LF
M8	0.5-6.0	11.0	20.5	16.0	1.50	12.0	T8M-060.43LF	A8M-060.43LF	B8M-060.43LF	E8M-060.43LF
	0.5-8.0	11.0	23.0	16.0	1.50	12.0	T8M-080.47LF	A8M-080.47LF	B8M-080.47LF	E8M-080.47LF
	4.5-11.0	11.0	26.0	16.0	1.50	12.0	T8M-110.77LF	A8M-110.77LF	B8M-110.77LF	E8M-110.77LF
	6.5-13.0	11.0	28.0	16.0	1.50	12.0	T8M-130.97LF	A8M-130.97LF	B8M-130.97LF	E8M-130.97LF
M10	0.8-7.0	13.0	26.0	19.0	2.00	16.0	T10M-070.50LF	A10M-070.50LF	B10M-070.50LF	E10M-070.50LF
	1.5-10.0	13.0	30.0	19.0	2.00	16.0	T10M-100.60LF	A10M-100.60LF	B10M-100.60LF	E10M-100.60LF
	5.5-14.0	13.0	34.0	19.0	2.00	16.0	T10M-140.101LF	A10M-140.101LF	B10M-140.101LF	E10M-140.101LF

STEEL zinc - trivalente

11.04.2010

11A

Page D 101



TAPPEX THREAD INSERTS LTD
Masons Road, Stratford-upon-Avon
CV37 9NT

Tel. (01789) 206600 Fax. (01789) 414194
e-mail: sales@tappex.co.uk
web: www.tappex.co.uk

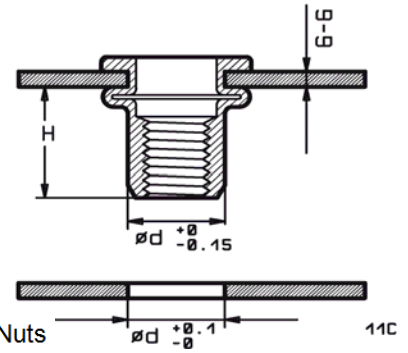
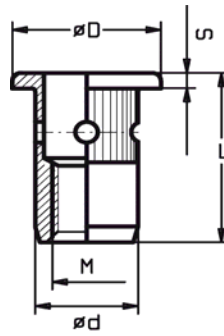
DATA SHEET D 103

LARGE FLANGE HEAD
Type: LF/KN-BCT

BCT- MULTIGRIP

G-G

other grip ranges can be manufactured on request



Tappex MultiRiv Rivet Nuts
Part Number 025/.....

All dimensions in metric

Dimensions with part number in bold are stock items

M Thread	G-G Grip range	ød	L	øD	S	H Ca.	Steel Part no.	Aluminium Part no.	Brass Part no.	Stainless Part no.
M3										
M4	0.5-4.0	7.0	14.0	10.0	0.80	8.0	T4M-040.25LF/KN	A4M-040.25LF/KN	B4M-040.25LF/KN	E4M-040.25LF/KN
	2.5-5.5	7.0	15.5	10.0	0.80	8.0	T4M-055.37LF/KN	A4M-055.37LF/KN	B4M-055.37LF/KN	E4M-055.37LF/KN
	4.0-7.0	7.0	17.0	10.0	0.80	8.0	T4M-070.49LF/KN	A4M-070.49LF/KN	B4M-070.49LF/KN	E4M-070.49LF/KN
M5	0.5-5.0	8.0	17.0	11.0	1.00	9.5	T5M-050.29LF/KN	A5M-050.29LF/KN	B5M-050.29LF/KN	E5M-050.29LF/KN
	3.0-7.0	8.0	19.0	11.0	1.00	9.5	T5M-070.43LF/KN	A5M-070.43LF/KN	B5M-070.43LF/KN	E5M-070.43LF/KN
M6	0.5-4.5	9.0	17.5	13.0	1.50	10.5	T6M-045.33LF/KN	A6M-045.33LF/KN	B6M-045.33LF/KN	E6M-045.33LF/KN
	0.5-6.0	9.0	19.0	13.0	1.50	10.5	T6M-060.33LF/KN	A6M-060.33LF/KN	B6M-060.33LF/KN	E6M-060.33LF/KN
	4.0-9.0	9.0	22.5	13.0	1.50	10.5	T6M-090.61LF/KN	A6M-090.61LF/KN	B6M-090.61LF/KN	E6M-090.61LF/KN
M8	0.5-6.0	11.0	20.0	16.0	1.50	12.0	T8M-060.43LF/KN	A8M-060.43LF/KN	B8M-060.43LF/KN	E8M-060.43LF/KN
	0.5-8.0	11.0	23.0	16.0	1.50	12.0	T8M-080.47LF/KN	A8M-080.47LF/KN	B8M-080.47LF/KN	E8M-080.47LF/KN
	4.5-11.0	11.0	26.0	16.0	1.50	12.0	T8M-110.77LF/KN	A8M-110.77LF/KN	B8M-110.77LF/KN	E8M-110.77LF/KN
	6.5-13.0	11.0	28.0	16.0	1.50	12.0	T8M-130.97LF/KN	A8M-130.97LF/KN	B8M-130.97LF/KN	E8M-130.97LF/KN
M10	0.8-7.0	13.0	26.0	19.0	2.00	16.0	T10M-070.50LF/KN	A10M-070.50LF/KN	B10M-070.50LF/KN	E10M-070.50LF/KN
	1.5-10.0	13.0	30.0	19.0	2.00	16.0	T10M-100.60LF/KN	A10M-100.60LF/KN	B10M-100.60LF/KN	E10M-100.60LF/KN
	5.5-14.0	13.0	34.0	19.0	2.00	16.0	T10M-140.101LF/KN	A10M-140.101LF/KN	B10M-140.101LF/KN	E10M-140.101LF/KN

STEEL zinc - trivalente

11.04.2010

11C

Page D 103



TAPPEX THREAD INSERTS LTD
Masons Road, Stratford-upon-Avon
CV37 9NT

Tel. (01789) 206600 Fax. (01789) 414194
e-mail: sales@tappex.co.uk
web: www.tappex.co.uk

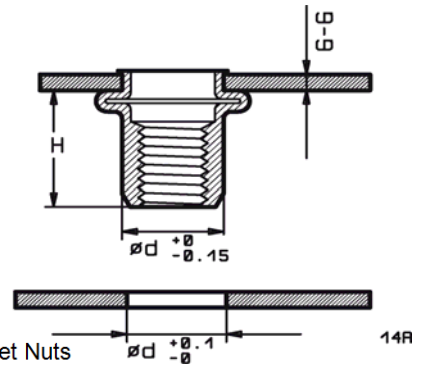
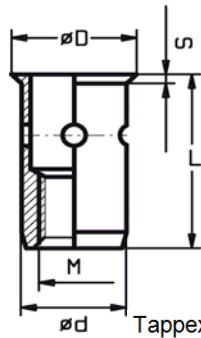
DATA SHEET D 113

SMALL COUNTERSUNK HEAD
Type: **TS-BCT**

BCT- MULTIGRIP

G-G

other grip ranges can be manufactured on request



Tappex MultiRiv Rivet Nuts
Part Number 025/.....

14A

All dimensions in metric

Dimensions with **part number** in bold are stock items

M Thread	G-G Grip range	ød	L	øD	S	H Ca.	Steel Part no.	Aluminium Part no.	Brass Part no.	Stainless Part no.
M3										
M4	0.5-4.0	7.0	13.5	8.0	0.50	8.0	T4M-040.25TS	A4M-040.25TS	B4M-040.25TS	E4M-040.25TS
	2.5-5.5	7.0	15.0	8.0	0.50	8.0	T4M-055.37TS	A4M-055.37TS	B4M-055.37TS	E4M-055.37TS
	4.0-7.0	7.0	16.5	8.0	0.50	8.0	T4M-070.49TS	A4M-070.49TS	B4M-070.49TS	E4M-070.49TS
M5	0.5-5.0	8.0	16.0	9.0	0.50	9.0	T5M-050.29TS	A5M-050.29TS	B5M-050.29TS	E5M-050.29TS
	3.0-7.0	8.0	18.0	9.0	0.50	9.0	T5M-070.43TS	A5M-070.43TS	B5M-070.43TS	E5M-070.43TS
M6	0.5-4.5	9.0	16.0	10.0	0.50	10.0	T6M-045.33TS	A6M-045.33TS	B6M-045.33TS	E6M-045.33TS
	0.5-6.0	9.0	17.5	10.0	0.50	10.0	T6M-060.33TS	A6M-060.33TS	B6M-060.33TS	E6M-060.33TS
	4.0-9.0	9.0	21.0	10.0	0.50	10.0	T6M-090.61TS	A6M-090.61TS	B6M-090.61TS	E6M-090.61TS
M8	0.5-6.0	11.0	19.5	12.0	0.60	12.0	T8M-060.41TS	A8M-060.41TS	B8M-060.41TS	E8M-060.41TS
	0.5-8.0	11.0	21.5	12.0	0.60	12.0	T8M-080.45TS	A8M-080.45TS	B8M-080.45TS	E8M-080.45TS
	4.0-11.0	11.0	25.0	12.0	0.60	12.0	T8M-110.70TS	A8M-110.70TS	B8M-110.70TS	E8M-110.70TS
	6.5-13.0	11.0	27.0	12.0	0.60	12.0	T8M-130.88TS	A8M-130.88TS	B8M-130.88TS	E8M-130.88TS
M10	0.8-7.0	13.0	25.0	14.0	0.60	16.0	T10M-070.48TS	A10M-070.48TS	B10M-070.48TS	E10M-070.48TS
	1.5-10.0	13.0	28.0	14.0	0.60	16.0	T10M-100.58TS	A10M-100.58TS	B10M-100.58TS	E10M-100.58TS
	5.5-14.0	13.0	32.0	14.0	0.60	16.0	T10M-140.98TS	A10M-140.98TS	B10M-140.98TS	E10M-140.98TS

STEEL zinc - trivalente

11.04.2010

Page D 113

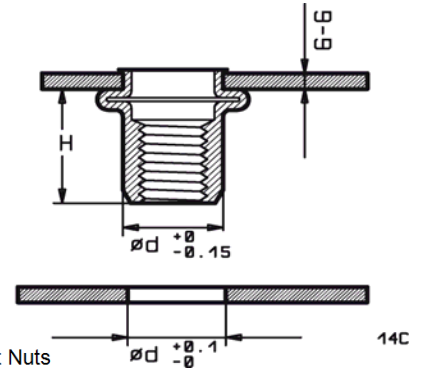
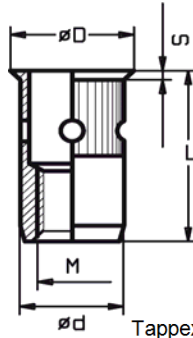
DATA SHEET D 115

SMALL COUNTERSUNK HEAD
Type: **TS/KN-BCT**

BCT- MULTIGRIP

G-G

other grip ranges can be manufactured on request



Tappex MultiRiv Rivet Nuts
Part Number 025/.....

All dimensions in metric

Dimensions with **part number** in bold are stock items

M Thread	G-G Grip range	ød	L	øD	S	H Ca.	Steel Part no.	Aluminium Part no.	Brass Part no.	Stainless Part no.
M3										
M4	0.5-4.0	7.0	13.5	8.0	0.50	8.0	T4M-040.25TS/KN	A4M-040.25TS/KN	B4M-040.25TS/KN	E4M-040.25TS/KN
	2.5-5.5	7.0	15.0	8.0	0.50	8.0	T4M-055.37TS/KN	A4M-055.37TS/KN	B4M-055.37TS/KN	E4M-055.37TS/KN
	4.0-7.0	7.0	16.5	8.0	0.50	8.0	T4M-070.49TS/KN	A4M-070.49TS/KN	B4M-070.49TS/KN	E4M-070.49TS/KN
M5	0.5-5.0	8.0	16.0	9.0	0.50	9.0	T5M-050.29TS/KN	A5M-050.29TS/KN	B5M-050.29TS/KN	E5M-050.29TS/KN
	3.0-7.0	8.0	18.0	9.0	0.50	9.0	T5M-070.43TS/KN	A5M-070.43TS/KN	B5M-070.43TS/KN	E5M-070.43TS/KN
M6	0.5-4.5	9.0	16.0	10.0	0.50	10.0	T6M-045.33TS/KN	A6M-045.33TS/KN	B6M-045.33TS/KN	E6M-045.33TS/KN
	0.5-6.0	9.0	17.5	10.0	0.50	10.0	T6M-060.33TS/KN	A6M-060.33TS/KN	B6M-060.33TS/KN	E6M-060.33TS/KN
	4.0-9.0	9.0	21.0	10.0	0.50	10.0	T6M-090.61TS/KN	A6M-090.61TS/KN	B6M-090.61TS/KN	E6M-090.61TS/KN
M8	0.5-6.0	11.0	19.5	12.0	0.60	12.0	T8M-060.41TS/KN	A8M-060.41TS/KN	B8M-060.41TS/KN	E8M-060.41TS/KN
	0.5-8.0	11.0	21.5	12.0	0.60	12.0	T8M-080.45TS/KN	A8M-080.45TS/KN	B8M-080.45TS/KN	E8M-080.45TS/KN
	4.0-11.0	11.0	25.0	12.0	0.60	12.0	T8M-110.70TS/KN	A8M-110.70TS/KN	B8M-110.70TS/KN	E8M-110.70TS/KN
	6.5-13.0	11.0	27.0	12.0	0.60	12.0	T8M-130.88TS/KN	A8M-130.88TS/KN	B8M-130.88TS/KN	E8M-130.88TS/KN
M10	0.8-7.0	13.0	25.0	14.0	0.60	16.0	T10M-070.48TS/KN	A10M-070.48TS/KN	B10M-070.48TS/KN	E10M-070.48TS/KN
	1.5-10.0	13.0	28.0	14.0	0.60	16.0	T10M-100.58TS/KN	A10M-100.58TS/KN	B10M-100.58TS/KN	E10M-100.58TS/KN
	5.5-14.0	13.0	32.0	14.0	0.60	16.0	T10M-140.98TS/KN	A10M-140.98TS/KN	B10M-140.98TS/KN	E10M-140.98TS/KN

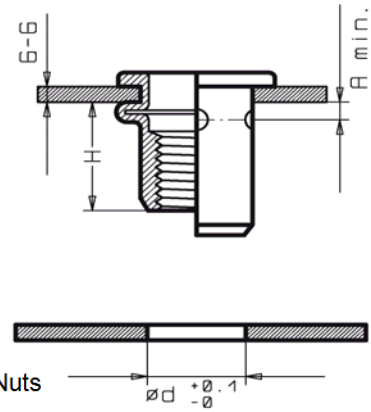
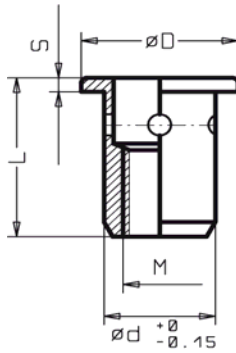
STEEL zinc - trivalente

11.04.2010

DATA SHEET **D 301**

LARGE FLANGE HEAD

Type: **LF-BCT**



BCT- Bulge controlled

G-G

other grip ranges can be manufactured on request

Tappex MultiRiv Rivet Nuts
Part Number 025/.....

30A

All dimensions in metric

Dimensions with **part number** in bold are stock items

M Thread	G-G Grip range	ød	L	øD	S	H ca.	Steel Part no.	Aluminium Part no.	Brass Part no.	Stainless Part no.
M3										
M4 A =1.5	0.5-1.5	7.0	14.0	10.0	0.80	8.0	T4M-040.25LF	A4M-040.25LF	B4M-040.25LF	E4M-040.25LF
	1.5-2.5	7.0	14.5	10.0	0.80	8.0	T4M-045.32LF	A4M-045.32LF	B4M-045.32LF	E4M-045.32LF
	2.5-3.5	7.0	15.5	10.0	0.80	8.0	T4M-055.42LF	A4M-055.42LF	B4M-055.42LF	E4M-055.42LF
	3.5-4.5	7.0	16.5	10.0	0.80	8.0	T4M-065.52LF	A4M-065.52LF	B4M-065.52LF	E4M-065.52LF
	4.5-5.5	7.0	17.5	10.0	0.80	8.0	T4M-075.62LF	A4M-075.62LF	B4M-075.62LF	E4M-075.62LF
M5 A =1.8	0.5-2.0	8.0	17.0	11.0	1.00	9.5	T5M-050.29LF	A5M-050.29LF	B5M-050.29LF	E5M-050.29LF
	2.0-3.0	8.0	18.0	11.0	1.00	10.0	T5M-055.40LF	A5M-055.40LF	B5M-055.40LF	E5M-055.40LF
	3.0-4.0	8.0	19.0	11.0	1.00	10.0	T5M-065.50LF	A5M-065.50LF	B5M-065.50LF	E5M-065.50LF
	4.0-5.0	8.0	20.0	11.0	1.00	10.0	T5M-075.60LF	A5M-075.60LF	B5M-075.60LF	E5M-075.60LF
M6 A =2.0	0.5-2.5	9.0	18.0	13.0	1.50	10.5	T6M-045.33LF	A6M-045.33LF	B6M-045.33LF	E6M-045.33LF
	2.5-4.0	9.0	20.0	13.0	1.50	10.5	T6M-065.50LF	A6M-065.50LF	B6M-065.50LF	E6M-065.50LF
	4.0-5.5	9.0	21.5	13.0	1.50	10.5	T6M-080.66LF	A6M-080.66LF	B6M-080.66LF	E6M-080.66LF
	5.5-7.0	9.0	23.0	13.0	1.50	10.5	T6M-095.80LF	A6M-095.80LF	B6M-095.80LF	E6M-095.80LF
M8 A =2.3	1.0-3.0	11.0	20.5	16.0	1.50	12.5	T8M-060.43LF	A8M-060.43LF	B8M-060.43LF	E8M-060.43LF
	3.0-5.0	11.0	24.0	16.0	1.50	12.5	T8M-090.62LF	A8M-090.62LF	B8M-090.62LF	E8M-090.62LF
	4.5-6.5	11.0	26.0	16.0	1.50	12.5	T8M-110.77LF	A8M-110.77LF	B8M-110.77LF	E8M-110.77LF
	6.5-8.5	11.0	28.0	16.0	1.50	12.5	T8M-130.97LF	A8M-130.97LF	B8M-130.97LF	E8M-130.97LF
M10 A =2.7	1.0-3.5	13.0	26.0	19.0	2.00	15.5	T10M-070.50LF	A10M-070.50LF	B10M-070.50LF	E10M-070.50LF
	3.5-6.0	13.0	29.0	19.0	2.00	15.5	T10M-100.75LF	A10M-100.75LF	B10M-100.75LF	E10M-100.75LF
	6.0-8.5	13.0	34.0	19.0	2.00	16.5	T10M-140.100LF	A10M-140.100LF	B10M-140.100LF	E10M-140.100LF

STEEL zinc - trivalente

11.04.2010



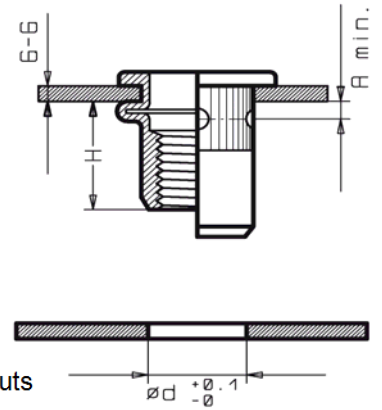
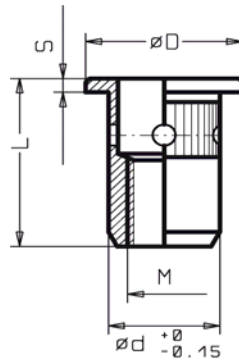
TAPPEX THREAD INSERTS LTD
Masons Road, Stratford-upon-Avon
CV37 9NT

Tel. (01789) 206600 Fax. (01789) 414194
e-mail: sales@tappex.co.uk
web: www.tappex.co.uk

DATA SHEET **D 303**

LARGE FLANGE HEAD
Type: **LF/KN-BCT**

BCT- Bulge controlled



G-G

other grip ranges can be manufactured on request

Tappex MultiRiv Rivet Nuts
Part Number 025/.....

30C

All dimensions in metric

Dimensions with **part number** in bold are stock items

M Thread	G-G Grip range	ød	L	øD	S	H ca.	Steel Part no.	Aluminium Part no.	Brass Part no.	Stainless Part no.
M3										
M4 A =1.5	0.5-1.5	7.0	14.0	10.0	0.80	8.0	T4M-040.25LF/KN	A4M-040.25LF/KN	B4M-040.25LF/KN	E4M-040.25LF/KN
	1.5-2.5	7.0	14.5	10.0	0.80	8.0	T4M-045.32LF/KN	A4M-045.32LF/KN	B4M-045.32LF/KN	E4M-045.32LF/KN
	2.5-3.5	7.0	15.5	10.0	0.80	8.0	T4M-055.42LF/KN	A4M-055.42LF/KN	B4M-055.42LF/KN	E4M-055.42LF/KN
	3.5-4.5	7.0	16.5	10.0	0.80	8.0	T4M-065.52LF/KN	A4M-065.52LF/KN	B4M-065.52LF/KN	E4M-065.52LF/KN
	4.5-5.5	7.0	17.5	10.0	0.80	8.0	T4M-075.62LF/KN	A4M-075.62LF/KN	B4M-075.62LF/KN	E4M-075.62LF/KN
M5 A =1.8	0.5-2.0	8.0	17.0	11.0	1.00	9.5	T5M-050.29LF/KN	A5M-050.29LF/KN	B5M-050.29LF/KN	E5M-050.29LF/KN
	2.0-3.0	8.0	18.0	11.0	1.00	10.0	T5M-055.40LF/KN	A5M-055.40LF/KN	B5M-055.40LF/KN	E5M-055.40LF/KN
	3.0-4.0	8.0	19.0	11.0	1.00	10.0	T5M-065.50LF/KN	A5M-065.50LF/KN	B5M-065.50LF/KN	E5M-065.50LF/KN
	4.0-5.0	8.0	20.0	11.0	1.00	10.0	T5M-075.60LF/KN	A5M-075.60LF/KN	B5M-075.60LF/KN	E5M-075.60LF/KN
M6 A =2.0	0.5-2.5	9.0	18.0	13.0	1.50	10.5	T6M-045.33LF/KN	A6M-045.33LF/KN	B6M-045.33LF/KN	E6M-045.33LF/KN
	2.5-4.0	9.0	20.0	13.0	1.50	10.5	T6M-065.50LF/KN	A6M-065.50LF/KN	B6M-065.50LF/KN	E6M-065.50LF/KN
	4.0-5.5	9.0	21.5	13.0	1.50	10.5	T6M-080.66LF/KN	A6M-080.66LF/KN	B6M-080.66LF/KN	E6M-080.66LF/KN
	5.5-7.0	9.0	23.0	13.0	1.50	10.5	T6M-095.80LF/KN	A6M-095.80LF/KN	B6M-095.80LF/KN	E6M-095.80LF/KN
M8 A =2.3	1.0-3.0	11.0	20.5	16.0	1.50	12.5	T8M-060.43LF/KN	A8M-060.43LF/KN	B8M-060.43LF/KN	E8M-060.43LF/KN
	3.0-5.0	11.0	24.0	16.0	1.50	12.5	T8M-090.62LF/KN	A8M-090.62LF/KN	B8M-090.62LF/KN	E8M-090.62LF/KN
	4.5-6.5	11.0	26.0	16.0	1.50	12.5	T8M-110.77LF/KN	A8M-110.77LF/KN	B8M-110.77LF/KN	E8M-110.77LF/KN
	6.5-8.5	11.0	28.0	16.0	1.50	12.5	T8M-130.97LF/KN	A8M-130.97LF/KN	B8M-130.97LF/KN	E8M-130.97LF/KN
M10 A =2.7	1.0-3.5	13.0	26.0	19.0	2.00	15.5	T10M-070.50LF/KN	A10M-070.50LF/KN	B10M-070.50LF/KN	E10M-070.50LF/KN
	3.5-6.0	13.0	29.0	19.0	2.00	15.5	T10M-100.75LF/KN	A10M-100.75LF/KN	B10M-100.75LF/KN	E10M-100.75LF/KN
	6.0-8.5	13.0	34.0	19.0	2.00	16.5	T10M-140.100LF/KN	A10M-140.100LF/KN	B10M-140.100LF/KN	E10M-140.100LF/KN

STEEL zinc - trivalente

11.04.2010

30C

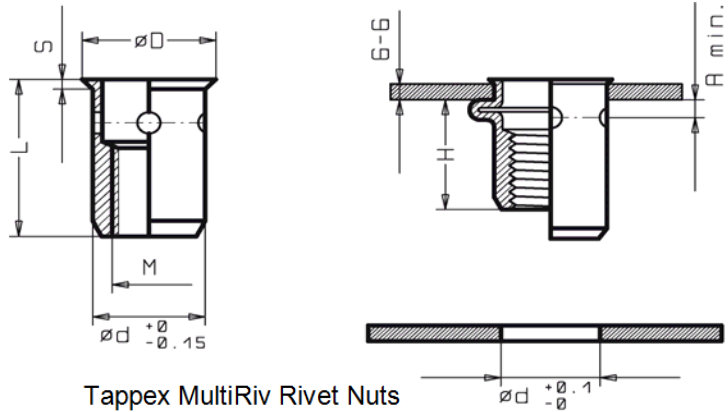


TAPPEX THREAD INSERTS LTD
Masons Road, Stratford-upon-Avon
CV37 9NT

Tel. (01789) 206600 Fax. (01789) 414194
e-mail: sales@tappex.co.uk
web: www.tappex.co.uk

DATA SHEET D 313

SMALL COUNTERSUNK HEAD
Type: **TS-BCT**



BCT- Bulge controlled

G-G

other grip ranges can be manufactured on request

Tappex MultiRiv Rivet Nuts
Part Number 025/.....

34A

All dimensions in metric

Dimensions with **part number** in bold are stock items

M Thread	G-G Grip range	ød	L	øD	S	H ca.	Steel Part no.	Aluminium Part no.	Brass Part no.	Stainless Part no.
M3										
M4 A =1.5	0.5-1.5	7.0	13.5	8.0	0.50	8.0	T4M-040.25TS	A4M-040.25TS	B4M-040.25TS	E4M-040.25TS
	1.5-2.5	7.0	14.0	8.0	0.50	8.0	T4M-045.32TS	A4M-045.32TS	B4M-045.32TS	E4M-045.32TS
	2.5-3.5	7.0	15.0	8.0	0.50	8.0	T4M-055.42TS	A4M-055.42TS	B4M-055.42TS	E4M-055.42TS
	3.5-4.5	7.0	16.0	8.0	0.50	8.0	T4M-065.52TS	A4M-065.52TS	B4M-065.52TS	E4M-065.52TS
	4.5-5.5	7.0	17.0	8.0	0.50	8.0	T4M-075.62TS	A4M-075.62TS	B4M-075.62TS	E4M-075.62TS
M5 A =1.8	0.5-2.0	8.0	16.0	9.0	0.50	9.5	T5M-050.29TS	A5M-050.29TS	B5M-050.29TS	E5M-050.29TS
	2.0-3.0	8.0	17.0	9.0	0.50	9.5	T5M-055.40TS	A5M-055.40TS	B5M-055.40TS	E5M-055.40TS
	3.0-4.0	8.0	18.0	9.0	0.50	9.5	T5M-065.50TS	A5M-065.50TS	B5M-065.50TS	E5M-065.50TS
	4.0-5.0	8.0	19.0	9.0	0.50	9.5	T5M-075.60TS	A5M-075.60TS	B5M-075.60TS	E5M-075.60TS
M6 A =2.0	0.5-2.5	9.0	17.0	10.0	0.50	10.5	T6M-045.33TS	A6M-045.33TS	B6M-045.33TS	E6M-045.33TS
	2.5-4.0	9.0	19.0	10.0	0.50	10.5	T6M-065.50TS	A6M-065.50TS	B6M-065.50TS	E6M-065.50TS
	4.0-5.5	9.0	20.5	10.0	0.50	10.5	T6M-080.64TS	A6M-080.64TS	B6M-080.64TS	E6M-080.64TS
	5.5-7.0	9.0	22.0	10.0	0.50	10.5	T6M-095.80TS	A6M-095.80TS	B6M-095.80TS	E6M-095.80TS
M8 A =2.3	1.0-3.0	11.0	20.0	12.0	0.60	12.5	T8M-060.41TS	A8M-060.41TS	B8M-060.41TS	E8M-060.41TS
	3.0-5.0	11.0	23.0	12.0	0.60	12.5	T8M-090.60TS	A8M-090.60TS	B8M-090.60TS	E8M-090.60TS
	4.5-6.5	11.0	24.0	12.0	0.60	12.5	T8M-100.74TS	A8M-100.74TS	B8M-100.74TS	E8M-100.74TS
	6.0-8.0	11.0	27.0	12.0	0.60	12.5	T8M-130.88TS	A8M-130.88TS	B8M-130.88TS	E8M-130.88TS
M10 A =2.7	1.0-3.5	13.0	25.0	14.0	0.60	16.0	T10M-070.48TS	A10M-070.48TS	B10M-070.48TS	E10M-070.48TS
	3.5-6.0	13.0	28.0	14.0	0.60	16.5	T10M-095.73TS	A10M-095.73TS	B10M-095.73TS	E10M-095.73TS
	6.0-8.5	13.0	32.0	14.0	0.60	16.5	T10M-140.98TS	A10M-140.98TS	B10M-140.98TS	E10M-140.98TS

STEEL zinc - trivalente

11.04.2010

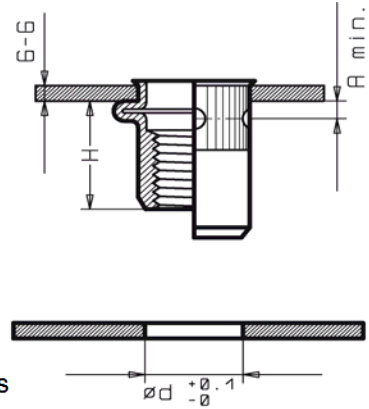
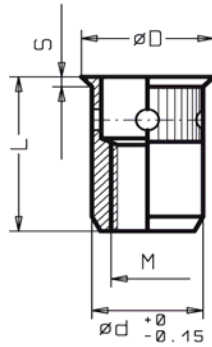


TAPPEX THREAD INSERTS LTD
Masons Road, Stratford-upon-Avon
CV37 9NT

Tel. (01789) 206600 Fax. (01789) 414194
e-mail: sales@tappex.co.uk
web: www.tappex.co.uk

DATA SHEET D 315

SMALL COUNTERSUNK HEAD
Type: **TS/KN-BCT**



BCT- Bulge controlled

G-G

other grip ranges can be manufactured on request

Tappex MultiRiv Rivet Nuts
Part Number 025/.....

34C

All dimensions in metric

Dimensions with **part number** in bold are stock items

M Thread	G-G Grip range	Ød	L	ØD	S	H ca.	Steel Part no.	Aluminium Part no.	Brass Part no.	Stainless Part no.
M3										
M4 A =1.5	0.5-1.5	7.0	13.5	8.0	0.50	8.0	T4M-040.25TS/KN	A4M-040.25TS/KN	B4M-040.25TS/KN	E4M-040.25TS/KN
	1.5-2.5	7.0	14.0	8.0	0.50	8.0	T4M-045.32TS/KN	A4M-045.32TS/KN	B4M-045.32TS/KN	E4M-045.32TS/KN
	2.5-3.5	7.0	15.0	8.0	0.50	8.0	T4M-055.42TS/KN	A4M-055.42TS/KN	B4M-055.42TS/KN	E4M-055.42TS/KN
	3.5-4.5	7.0	16.0	8.0	0.50	8.0	T4M-065.52TS/KN	A4M-065.52TS/KN	B4M-065.52TS/KN	E4M-065.52TS/KN
	4.5-5.5	7.0	17.0	8.0	0.50	8.0	T4M-075.62TS/KN	A4M-075.62TS/KN	B4M-075.62TS/KN	E4M-075.62TS/KN
M5 A =1.8	0.5-2.0	8.0	16.0	9.0	0.50	9.5	T5M-050.29TS/KN	A5M-050.29TS/KN	B5M-050.29TS/KN	E5M-050.29TS/KN
	2.0-3.0	8.0	17.0	9.0	0.50	9.5	T5M-055.40TS/KN	A5M-055.40TS/KN	B5M-055.40TS/KN	E5M-055.40TS/KN
	3.0-4.0	8.0	18.0	9.0	0.50	9.5	T5M-065.50TS/KN	A5M-065.50TS/KN	B5M-065.50TS/KN	E5M-065.50TS/KN
	4.0-5.0	8.0	19.0	9.0	0.50	9.5	T5M-075.60TS/KN	A5M-075.60TS/KN	B5M-075.60TS/KN	E5M-075.60TS/KN
M6 A =2.0	0.5-2.5	9.0	17.0	10.0	0.50	10.5	T6M-045.33TS/KN	A6M-045.33TS/KN	B6M-045.33TS/KN	E6M-045.33TS/KN
	2.5-4.0	9.0	19.0	10.0	0.50	10.5	T6M-065.50TS/KN	A6M-065.50TS/KN	B6M-065.50TS/KN	E6M-065.50TS/KN
	4.0-5.5	9.0	20.5	10.0	0.50	10.5	T6M-080.64TS/KN	A6M-080.64TS/KN	B6M-080.64TS/KN	E6M-080.64TS/KN
	5.5-7.0	9.0	22.0	10.0	0.50	10.5	T6M-095.80TS/KN	A6M-095.80TS/KN	B6M-095.80TS/KN	E6M-095.80TS/KN
M8 A =2.3	1.0-3.0	11.0	20.0	12.0	0.60	12.5	T8M-060.41TS/KN	A8M-060.41TS/KN	B8M-060.41TS/KN	E8M-060.41TS/KN
	3.0-5.0	11.0	23.0	12.0	0.60	12.5	T8M-090.60TS/KN	A8M-090.60TS/KN	B8M-090.60TS/KN	E8M-090.60TS/KN
	4.5-6.5	11.0	24.0	12.0	0.60	12.5	T8M-100.74TS/KN	A8M-100.74TS/KN	B8M-100.74TS/KN	E8M-100.74TS/KN
	6.0-8.0	11.0	27.0	12.0	0.60	12.5	T8M-130.88TS/KN	A8M-130.88TS/KN	B8M-130.88TS/KN	E8M-130.88TS/KN
M10 A =2.7	1.0-3.5	13.0	25.0	14.0	0.60	16.0	T10M-070.48TS/KN	A10M-070.48TS/KN	B10M-070.48TS/KN	E10M-070.48TS/KN
	3.5-6.0	13.0	28.0	14.0	0.60	16.5	T10M-095.73TS/KN	A10M-095.73TS/KN	B10M-095.73TS/KN	E10M-095.73TS/KN
	6.0-8.5	13.0	32.0	14.0	0.60	16.5	T10M-140.98TS/KN	A10M-140.98TS/KN	B10M-140.98TS/KN	E10M-140.98TS/KN

STEEL zinc - trivalente

11.04.2010



TAPPEX THREAD INSERTS LTD
Masons Road, Stratford-upon-Avon
CV37 9NT

Tel. (01789) 206600 Fax. (01789) 414194
e-mail: sales@tappex.co.uk
web: www.tappex.co.uk

DATA SHEET **D 201**

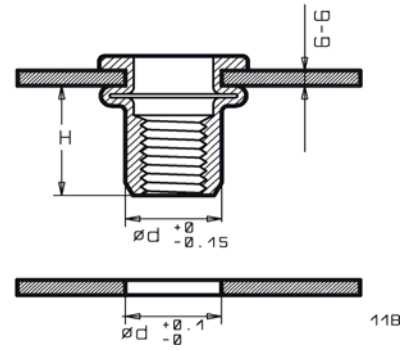
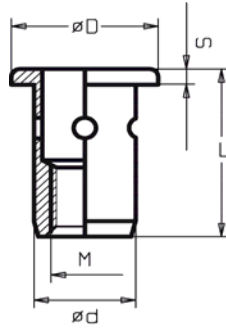
LARGE FLANGE HEAD

Type: **hLF**

BCT for high performance

Steel: Bolt Metric Class **12.9**

Alum: Bolt Metric Class **8.8**



G-G

other grip ranges can be manufactured on request

Tappex MultiRiv Rivet Nuts

Part Number 025/.....

All dimensions in metric

Dimensions with **part number** in bold are stock items

M Thread	G-G Grip range	ød	L	øD	S	H Ca.	Steel 12.9 Part no.	Aluminium 8.8 Part no.	Brass Part no.	Stainless Part no.
M3										
M4										
M5 No 10-32 No 10-24	0.7-2.5	8.0	16.0	11.0	1.00	10.0	HT5M-25hLF	HA5M-25hLF	--	--
	2.5-4.0	8.0	17.5	11.0	1.00	10.5	HT5M-40hLF	HA5M-40hLF	--	--
M6 1/4-20 1/4-28	1.0-3.0	9.0	19.0	13.0	1.50	11.5	HT6M-30hLF	HA6M-30hLF	--	--
	3.0-5.0	9.0	21.0	13.0	1.50	11.5	HT6M-50hLF	HA6M-50hLF	--	--
M8 5/16-18 5/16-24	1.5-4.0	11.0	23.0	16.0	1.50	14.0	HT8M-40hLF	HA8M-40hLF	--	--
	4.0-6.0	11.0	25.0	16.0	1.50	14.0	HT8M-60hLF	HA8M-60hLF	--	--
	6.0-8.0	11.0	27.0	16.0	1.50	14.0	HT8M-80hLF	HA8M-80hLF	--	--
M10 3/8-16 3/8-24	2.0-5.0	13.0	28.0	19.0	2.00	18.0	HT10M-50hLF	HA10M-50hLF	--	--
	4.5-7.0	13.0	30.0	19.0	2.00	18.0	HT10M-70hLF	HA10M-70hLF	--	--
	6.5-9.0	13.0	32.0	19.0	2.00	18.0	HT10M-90hLF	HA10M-90hLF	--	--

STEEL zinc - trivalente



TAPPEX THREAD INSERTS LTD
Masons Road, Stratford-upon-Avon
CV37 9NT

05.03.2010

Tel. (01789) 206600 Fax. (01789) 414194
e-mail: sales@tappex.co.uk
web: www.tappex.co.uk

DATA SHEET **D 203**

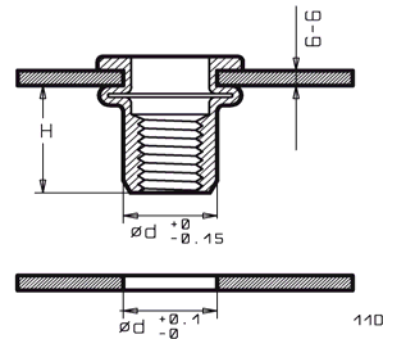
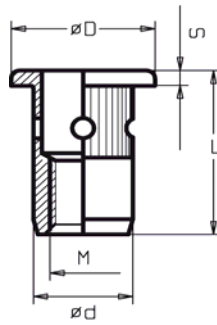
LARGE FLANGE HEAD

Type: **hLF/KN**

BCT for high performance

Steel: Bolt Metric Class **12.9**

Alum: Bolt Metric Class **8.8**



G-G

other grip ranges can be manufactured on request

Tappex MultiRiv Rivet Nuts

Part Number 025/.....

All dimensions in metric

Dimensions with **part number** in bold are stock items

M Thread	G-G Grip range	ød	L	øD	S	H Ca.	Steel 12.9 Part no.	Aluminium 8.8 Part no.	Brass Part no.	Stainless Part no.
M3										
M4										
M5 No 10-32 No 10-24	0.7-2.5	8.0	16.0	11.0	1.00	10.0	HT5M-25hLF/KN	HA5M-25hLF/KN	--	--
	2.5-4.0	8.0	17.5	11.0	1.00	10.5	HT5M-40hLF/KN	HA5M-40hLF/KN	--	--
M6 1/4-20 1/4-28	1.0-3.0	9.0	19.0	13.0	1.50	11.5	HT6M-30hLF/KN	HA6M-30hLF/KN	--	--
	3.0-5.0	9.0	21.0	13.0	1.50	11.5	HT6M-50hLF/KN	HA6M-50hLF/KN	--	--
M8 5/16-18 5/16-24	1.5-4.0	11.0	23.0	16.0	1.50	14.0	HT8M-40hLF/KN	HA8M-40hLF/KN	--	--
	4.0-6.0	11.0	25.0	16.0	1.50	14.0	HT8M-60hLF/KN	HA8M-60hLF/KN	--	--
	6.0-8.0	11.0	27.0	16.0	1.50	14.0	HT8M-80hLF/KN	HA8M-80hLF/KN	--	--
M10 3/8-16 3/8-24	2.0-5.0	13.0	28.0	19.0	2.00	18.0	HT10M-50hLF/KN	HA10M-50hLF/KN	--	--
	4.5-7.0	13.0	30.0	19.0	2.00	18.0	HT10M-70hLF/KN	HA10M-70hLF/KN	--	--
	6.5-9.0	13.0	32.0	19.0	2.00	18.0	HT10M-90hLF/KN	HA10M-90hLF/KN	--	--

STEEL zinc - trivalente

05.03.2010

DATA SHEET **D213**

SMALL COUNTERSUNK HEAD
Type: **hTS**

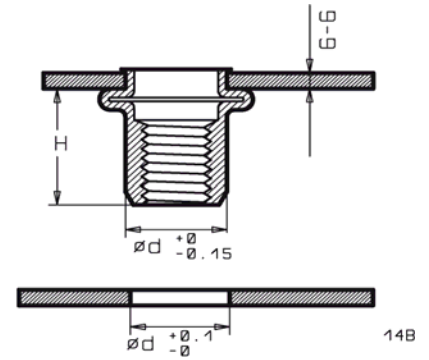
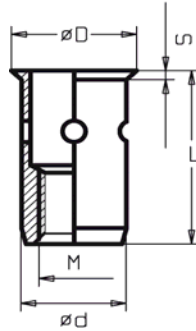
BCT for high performance

Steel: Bolt Metric Class **12.9**

Alum: Bolt Metric Class **8.8**

G-G

other grip ranges can be manufactured on request



Tappex MultiRiv Rivet Nuts
Part Number 025/.....

All dimensions in metric

Dimensions with **part number** in bold are stock items

M Thread	G-G Grip range	ød	L	øD	S	H Ca.	Steel 12.9 Part no.	Aluminium 8.8 Part no.	Brass Part no.	Stainless Part no.
M3										
M4										
M5 No 10-32 No 10-24	0.7-2.5 2.5-4.0	8.0 8.0	15.0 16.5	9.0 9.0	0.50 0.50	9.5 9.0	HT5M-25hTS HT5M-40hTS	HA5M-25hTS HA5M-40hTS	-- --	-- --
M6 1/4-20 1/4-28	1.0-3.0 3.0-5.0	9.0 9.0	18.0 20.0	10.0 10.0	0.50 0.50	11.0 11.0	HT6M-30hTS HT6M-50hTS	HA6M-30hTS HA6M-50hTS	-- --	-- --
M8 5/16-18 5/16-24	1.5-4.0 4.0-6.0 6.0-8.0	11.0 11.0 11.0	22.0 24.0 26.0	12.0 12.0 12.0	0,60 0,60 0,60	13.5 13.5 13.5	HT8M-40hTS HT8M-60hTS HT8M-80hTS	HA8M-40hTS HA8M-60hTS HA8M-80hTS	-- -- --	-- -- --
M10 3/8-16 3/8-24	2.0-5.0 4.5-7.0 6.5-9.0	13.0 13.0 13.0	27.0 29.0 31.0	14.0 14.0 14.0	0,60 0,60 0,60	18.0 18.0 18.0	HT10M-50hTS HT10M-70hTS HT10M-90hTS	HA10M-50hTS HA10M-70hTS HA10M-90hTS	-- -- --	-- -- --

STEEL zinc - trivalente

05.03.2010

DATA SHEET **D215**

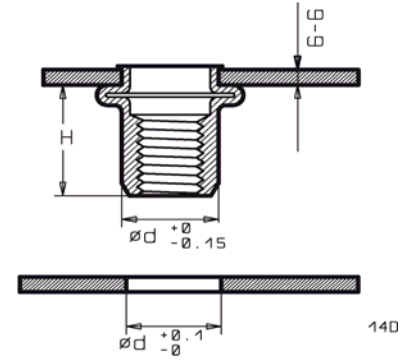
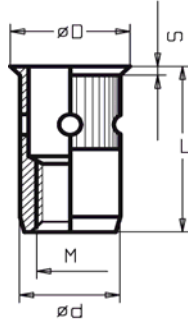
SMALL COUNTERSUNK HEAD

Type: **hTS/KN**

BCT for high performance

Steel: Bolt Metric Class **12.9**

Alum: Bolt Metric Class **8.8**



G-G

other grip ranges can be manufactured on request

Tappex MultiRiv Rivet Nuts

Part Number 025/.....

All dimensions in metric

Dimensions with **part number** in bold are stock items

M Thread	G-G Grip range	ød	L	øD	S	H Ca.	Steel 12.9 Part no.	Aluminium 8.8 Part no.	Brass Part no.	Stainless Part no.
M3										
M4										
M5 No 10-32 No 10-24	0.7-2.5 2.5-4.0	8.0 8.0	15.0 16.5	9.0 9.0	0.50 0.50	9.5 9.0	HT5M-25hTS/KN HT5M-40hTS/KN	HT5M-25hTS/KN HT5M-40hTS/KN	-- --	-- --
M6 1/4-20 1/4-28	1.0-3.0 3.0-5.0	9.0 9.0	18.0 20.0	10.0 10.0	0.50 0.50	11.0 11.0	HT6M-30hTS/KN HT6M-50hTS/KN	HT6M-30hTS/KN HT6M-50hTS/KN	-- --	-- --
M8 5/16-18 5/16-24	1.5-4.0 4.0-6.0 6.0-8.0	11.0 11.0 11.0	22.0 24.0 26.0	12.0 12.0 12.0	0.60 0.60 0.60	13.5 13.5 13.5	HT8M-40hTS/KN HT8M-60hTS/KN HT8M-80hTS/KN	HT8M-40hTS/KN HT8M-60hTS/KN HT8M-80hTS/KN	-- -- --	-- -- --
M10 3/8-16 3/8-24	2.0-5.0 4.5-7.0 6.5-9.0	13.0 13.0 13.0	27.0 29.0 31.0	14.0 14.0 14.0	0.60 0.60 0.60	18.0 18.0 18.0	HT10M-50hTS/KN HT10M-70hTS/KN HT10M-90hTS/KN	HT10M-50hTS/KN HT10M-70hTS/KN HT10M-90hTS/KN	-- -- --	-- -- --

STEEL zinc - trivalente

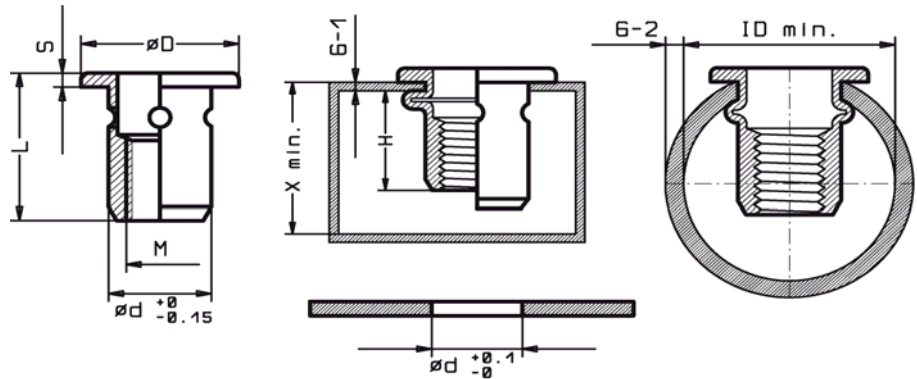
05.03.2010

14D



DATA SHEET **D 401**

LARGE FLANGE HEAD
Type: **sLF**



Tappex MultiRiv Rivet Nuts
Part Number 025/.....

21A

other grip ranges can be manufactured on request

BCT-MICRO

All dimensions in metric

M Thread	ød	L	øD	S	PROFILE			TUBE		Dimensions with part Number in bold are stock items		
					G-1	X	H ca.	G-2	ID	Steel 8.8 Part no.	Aluminium Part no.	Stainless Part no.
M3												
M4 No 8-32	6.0	8.0	8.0	0.7	0.5-0.8 -1.8	6.2 7.2	4.2 4.2	0.3-0.8 0.3-0.8	8.5 8.5	T4M-01sLF	A4M-01sLF	--
	6.0	8.7	8.0	0.7	1.5-2.0 -2.5	7.4 7.9	4.2 4.2	0.8-1.5 0.8-1.5	8.5 8.5	T4M-02sLF	A4M-02sLF	--
M5 No 10-32	7.0	9.5	9.0	0.9	0.7-1.0 -2.0	7.4 8.4	5.0 5.0	0.5-1.0 0.5-1.0	10.0 10.0	T5M-01sLF	A5M-01sLF	--
	7.0	10.5	9.0	0.9	2.0-2.5 -3.0	9.0 9.5	5.0 5.0	1.0-2.0 1.0-2.0	10.0 10.0	T5M-02sLF	A5M-02sLF	--
M6 1/4-28	8.0	10.5	10.0	1.0	0.7-1.0 -2.0	8.5 9.5	6.0 6.0	0.5-1.0 0.5-1.0	12.0 12.0	T6M-01sLF	A6M-01sLF	--
	8.0	11.5	10.0	1.0	2.0-2.5 -3.0	10.0 10.5	6.0 6.0	1.0-2.0 1.0-2.0	12.0 12.0	T6M-02sLF	A6M-02sLF	--
M8 5/16-24	10.0	13.0	12.0	1.2	0.7-1.5 -2.5	10.5 11.5	7.5 7.5	0.5-1.2 0.5-1.2	18.0 18.0	T8M-01sLF	A8M-01sLF	--
	10.0	14.5	12.0	1.2	2.0-3.0 -4.0	12.0 13.0	7.5 7.5	1.0-2.5 1.0-2.5	18.0 18.0	T8M-02sLF	A8M-02sLF	--
	10.0	16.0	12.0	1.2	3.5-4.5 -5.5	13.5 14.5	7.5 7.5	2.0-4.0 2.0-4.0	18.0 18.0	T8M-03sLF	A8M-03sLF	--
M10 3/8-24											--	--

STEEL zinc - trivalente

20.04.2010

21A

Page **D 401**



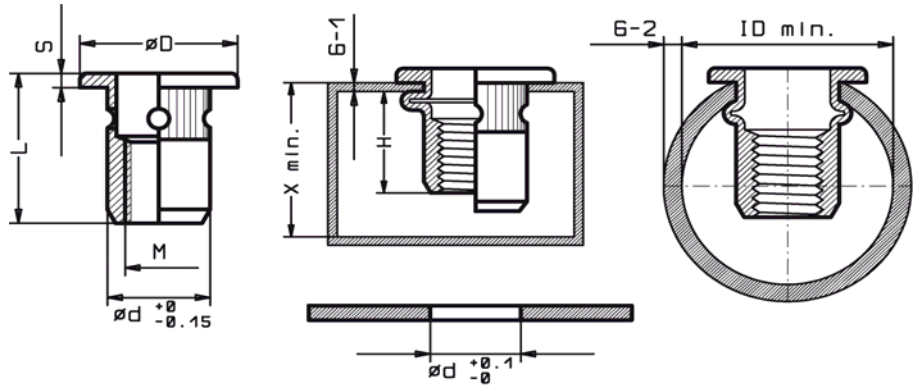
TAPPEX THREAD INSERTS LTD
Masons Road, Stratford-upon-Avon
CV37 9NT

Tel. (01789) 206600 Fax. (01789) 414194
e-mail: sales@tappex.co.uk
web: www.tappex.co.uk

DATA SHEET **D 403**

LARGE FLANGE HEAD
Type: **SLF/KN**

BCT-MICRO



other grip ranges can be manufactured on request

Tappex MultiRiv Rivet Nuts
Part Number 025/.....

21C

All dimensions in metric					PROFILE			TUBE		Dimensions with part Number in bold are stock items		
M Thread	Ød	L	ØD	S	G-1	X	H Ca.	G-2	ID	Steel 8.8 Part no.	Aluminium Part no.	Stainless Part no.
M3												
M4 No 8-32	6.0	8.0	8.0	0.7	0.5-0.8 -1.8	6.2 7.2	4.2 4.2	0.3-0.8 0.3-0.8	8.5 8.5	T4M-01sLF/KN	A4M-01sLF/KN	--
	6.0	8.7	8.0	0.7	1.5-2.0 -2.5	7.4 7.9	4.2 4.2	0.8-1.5 0.8-1.5	8.5 8.5	T4M-02sLF/KN	A4M-02sLF/KN	--
M5 No 10-32	7.0	9.5	9.0	0.9	0.7-1.0 -2.0	7.4 8.4	5.0 5.0	0.5-1.0 0.5-1.0	10.0 10.0	T5M-01sLF/KN	A5M-01sLF/KN	--
	7.0	10.5	9.0	0.9	2.0-2.5 -3.0	9.0 9.5	5.0 5.0	1.0-2.0 1.0-2.0	10.0 10.0	T5M-02sLF/KN	A5M-02sLF/KN	--
M6 1/4-28	8.0	10.5	10.0	1.0	0.7-1.0 -2.0	8.5 9.5	6.0 6.0	0.5-1.0 0.5-1.0	12.0 12.0	T6M-01sLF/KN	A6M-01sLF/KN	--
	8.0	11.5	10.0	1.0	2.0-2.5 -3.0	10.0 10.5	6.0 6.0	1.0-2.0 1.0-2.0	12.0 12.0	T6M-02sLF/KN	A6M-02sLF/KN	--
M8 5/16-24	10.0	13.0	12.0	1.2	0.7-1.5 -2.5	10.5 11.5	7.5 7.5	0.5-1.2 0.5-1.2	18.0 18.0	T8M-01sLF/KN	A8M-01sLF/KN	--
	10.0	14.5	12.0	1.2	2.0-3.0 -4.0	12.0 13.0	7.5 7.5	1.0-2.5 1.0-2.5	18.0 18.0	T8M-02sLF/KN	A8M-02sLF/KN	--
	10.0	16.0	12.0	1.2	3.5-4.5 -5.5	13.5 14.5	7.5 7.5	2.0-4.0 2.0-4.0	18.0 18.0	T8M-03sLF/KN	A8M-03sLF/KN	--
M10 3/8-24												-- -- --

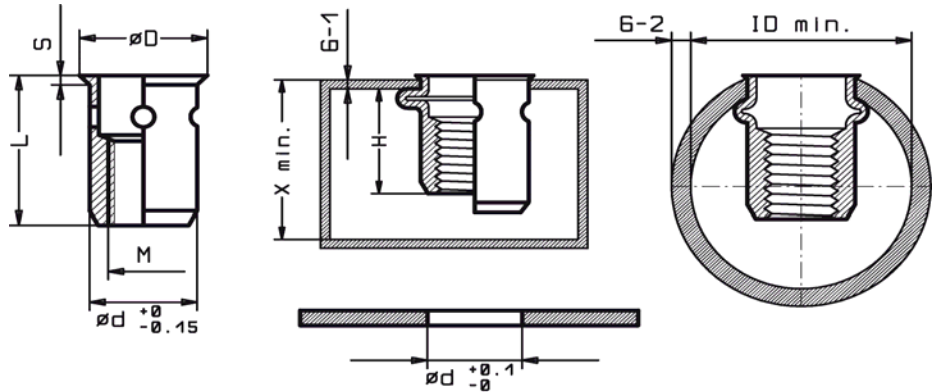
STEEL zinc - trivalente

20.04.2010

DATA SHEET **D 413**

Low profil head
Type: **sTS**

BCT-MICRO



other grip ranges can be manufactured on request

Tappex MultiRiv Rivet Nuts
Part Number 025/.....

20A

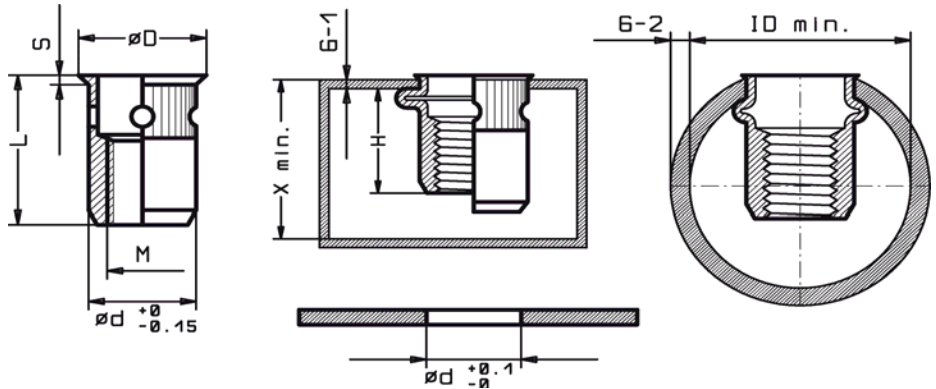
All dimensions in metric					PROFILE			TUBE		Dimensions with part Number in bold are stock items		
M Thread	Ød	L	ØD	S	G-1	X	H ca.	G-2	ID	Steel 8.8 Part no.	Aluminium Part no.	Stainless Part no.
M3												
M4 No 8-32	6.0	7.8	7.0	0.5	0.5-0.8 -1.8	6.2 7.2	4.2 4.2	0.3-0.8 0.3-0.8	8.5 8.5	T4M-01sTS	A4M-01sTS	--
	6.0	8.5	7.0	0.5	1.5-2.0 -2.5	7.4 7.9	4.2 4.2	0.8-1.5 0.8-1.5	8.5 8.5	T4M-02sTS	A4M-02sTS	--
M5 No 10-32	7.0	9.0	8.0	0.5	0.7-1.0 -2.0	7.4 8.4	5.0 5.0	0.5-1.0 0.5-1.0	10.0 10.0	T5M-01sTS	A5M-01sTS	--
	7.0	10.0	8.0	0.5	2.0-2.5 -3.0	9.0 9.5	5.0 5.0	1.0-2.0 1.0-2.0	10.0 10.0	T5M-02sTS	A5M-02sTS	--
M6 1/4-28	8.0	10.0	9.0	0.6	0.7-1.0 -2.0	8.5 9.5	6.0 6.0	0.5-1.0 0.5-1.0	12.0 12.0	T6M-01sTS	A6M-01sTS	--
	8.0	11.0	9.0	0.6	2.0-2.5 -3.0	10.0 10.5	6.0 6.0	1.0-2.0 1.0-2.0	12.0 12.0	T6M-02sTS	A6M-02sTS	--
M8 5/16-24	10.0	12.5	11.0	0.6	0.7-1.5 -2.5	10.5 11.5	7.5 7.5	0.5-1.2 0.5-1.2	18.0 18.0	T8M-01sTS	A8M-01sTS	--
	10.0	14.0	11.0	0.6	2.0-3.0 -4.0	12.0 13.0	7.5 7.5	1.0-2.5 1.0-2.5	18.0 18.0	T8M-02sTS	A8M-02sTS	--
	10.0	15.5	11.0	0.6	3.5-4.5 -5.5	13.5 14.5	7.5 7.5	2.0-4.0 2.0-4.0	18.0 18.0	T8M-03sTS	A8M-03sTS	--
M10 3/8-24												--

STEEL zinc - trivalente

20.04.2010

DATA SHEET **D 415**

Low profil head
Type: **sTS/KN**



BCT-MICRO

other grip ranges can be manufactured on request

Tappex MultiRiv Rivet Nuts
Part Number 025/.....

20C

All dimensions in metric					PROFILE			TUBE		Dimensions with part Number in bold are stock items		
M Thread	ød	L	øD	S	G-1	X	H ca.	G-2	ID	Steel 8.8 Part no.	Aluminium Part no.	Stainless Part no.
M3												
M4 No 8-32	6.0	7.8	7.0	0.5	0.5-0.8 -1.8	6.2 7.2	4.2 4.2	0.3-0.8 0.3-0.8	8.5 8.5	T4M-01sTS/KN	A4M-01sTS/KN	--
	6.0	8.5	7.0	0.5	1.5-2.0 -2.5	7.4 7.9	4.2 4.2	0.8-1.5 0.8-1.5	8.5 8.5	T4M-02sTS/KN	A4M-02sTS/KN	--
M5 No 10-32	7.0	9.0	8.0	0.5	0.7-1.0 -2.0	7.4 8.4	5.0 5.0	0.5-1.0 0.5-1.0	10.0 10.0	T5M-01sTS/KN	A5M-01sTS/KN	--
	7.0	10.0	8.0	0.5	2.0-2.5 -3.0	9.0 9.5	5.0 5.0	1.0-2.0 1.0-2.0	10.0 10.0	T5M-02sTS/KN	A5M-02sTS/KN	--
M6 1/4-28	8.0	10.0	9.0	0.6	0.7-1.0 -2.0	8.5 9.5	6.0 6.0	0.5-1.0 0.5-1.0	12.0 12.0	T6M-01sTS/KN	A6M-01sTS/KN	--
	8.0	11.0	9.0	0.6	2.0-2.5 -3.0	10.0 10.5	6.0 6.0	1.0-2.0 1.0-2.0	12.0 12.0	T6M-02sTS/KN	A6M-02sTS/KN	--
M8 5/16-24	10.0	12.5	11.0	0.6	0.7-1.5 -2.5	10.5 11.5	7.5 7.5	0.5-1.2 0.5-1.2	18.0 18.0	T8M-01sTS/KN	A8M-01sTS/KN	--
	10.0	14.0	11.0	0.6	2.0-3.0 -4.0	12.0 13.0	7.5 7.5	1.0-2.5 1.0-2.5	18.0 18.0	T8M-02sTS/KN	A8M-02sTS/KN	--
	10.0	15.5	11.0	0.6	3.5-4.5 -5.5	13.5 14.5	7.5 7.5	2.0-4.0 2.0-4.0	18.0 18.0	T8M-03sTS/KN	A8M-03sTS/KN	--
M10 3/8-24												--

STEEL zinc - trivalente

20.04.2010